

FLOOREQUIPMENTPARTS.COM



432

Parts Manual

MM155

Home

Find...

Go To..





This manual is furnished with each new TENNANT® Model 432. It provides necessary operating and preventive maintenance instructions. Read this manual completely and understand the machine before operating or servicing it.

This manual covers all machine variations and standard accessories. The instruction portion of the manual consists of the Specification, Operation, Maintenance, and Appendix sections. The parts portion consists of the Standard Model Parts, Accessories, Electrical Components, and Customer Documents sections.

All right side and left side references to the machine are determined by facing the direction of forward travel. All hardware considered to be of a common nature or locally available has been omitted from the parts sections. Be aware that this machine may contain metric hardware. Make sure you use equivalent hardware when replacement becomes necessary.

This machine will provide excellent service. However, the best results will be obtained at minimum costs if:

- The machine is operated with reasonable care.
- The machine is maintained regularly - per the maintenance instructions provided.
- The machine is maintained with Tennant Company supplied or equivalent parts.

Parts and supplies may be ordered by phone or mail from any Tennant Company parts and service center, distributor, or from any of the Tennant Company subsidiaries. Before ordering parts or supplies, be sure to have your machine model number and serial number handy. Fill out the data block below for future reference. The telephone numbers, telex numbers, mailing addresses, and locations of those outlets are listed in the Customer Documents section of the manual.

MACHINE DATA	
<i>Please fill out at time of installation.</i>	
Machine Serial Number -	_____
Engine Serial Number -	_____
Sales Representative -	_____
Customer Number -	_____
Date of Installation -	_____
Manual Number -	MM155
Revision:	07
Published:	10-88
04043	

Trademark Registered in: Austria, Benelux, Denmark, England, France, Germany, Italy, Spain, Switzerland, United States, Argentina, Australia, Canada, Japan, Mexico, Sweden, by TENNANT COMPANY, Minneapolis, Minnesota, U.S.A.

Copyright 1986, 1987, 1988 Tennant Company, Printed in U.S.A.

SECTION 5

STANDARD MODEL PARTS

CONTENTS

	Page
Ordering Repair Parts	5-1
Fig. 1 - Replacement Brushes	5-2
Fig. 2 - Recommended General Maintenance Items	5-4
Fig. 3 - Floor Care Kit	5-5
Fig. 4 - Main Frame Group	5-6
Fig. 5 - Hood and Covers Group	5-8
Fig. 6 - Scrub Head Cover Group	5-10
Fig. 7 - Scrub Brush Motor Group	5-11
Fig. 8 - Scrub Head Lift Group	5-12
Fig. 9 - Recovery Tank Group	5-14
Fig. 10 - Vacuum Fan Group	5-16
Fig. 11 - Solution Tank and Control Group ..	5-18
Fig. 12 - Drive Wheel Group	5-20
Fig. 13 - Drive Motor Group	5-21
Fig. 14 - Steering Drive Control Group	5-22
Fig. 15 - Rear Squeegee Group	5-24
Fig. 16 - Battery Group	5-26
Fig. 17 - Instrument Panel Group	5-27
Fig. 18 - Rear Frame Group	5-28
Fig. 19 - Wire Harnesses Group	5-30

NOTE: Section 5, Standard Model Parts, lists every repair part of a standard Model 432 machine.

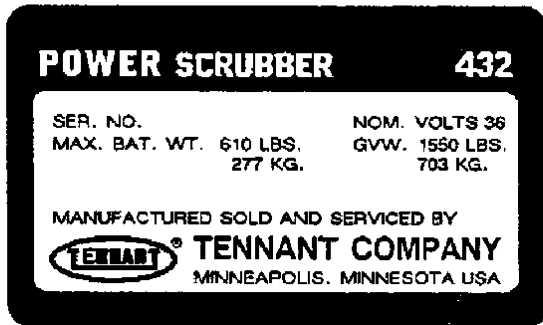
ORDERING REPAIR PARTS

The components used in this machine have been carefully selected for performance and safety. Use only Tennant Company specified or equivalent parts.

To receive prompt service in filling of your parts orders, please direct all orders for parts with Tennant Company part numbers to the Tennant Company, and all orders for parts with vendor part numbers to the local supplier of the respective vendor.

When ordering parts, please furnish all of the following information:

1. Machine model number - shown on the machine data plate.



2. Machine serial number - shown on the machine data plate.
3. Engine type - gasoline, LPG, diesel, electric.
4. Company name.
5. Shipping address.
6. Billing address.
7. Name, first and last - of person ordering parts.
8. Telephone number.
9. Purchase order number.
10. Part number, description, and quantity - of each item on the order.

Do not order parts by key number or the figure number of the illustrated parts. Indented items indicate parts of assemblies. Standard hardware is furnished only when part of a purchased assembly. Please get hardware from a local hardware supplier.

If the old part cannot be identified, send it to us with the quantity needed specified on the order.

Any claim for loss or damage to a shipment in transit should be filed promptly against the transportation company making the delivery. Shipments will be complete unless the packing list or order acknowledgement indicate items back ordered.

If parts received are suspected to be incorrect or defective, please write, wire, or phone the Tennant Company representative from whom you ordered the part. They will give authorization for return and/or handle replacement shipments when required.

SERIAL NUMBER INFORMATION EXPLANATION

Serial number listings are shown to indicate on which machines each part can be used. These listings are explained by the following examples:

- (000000-) The part can be used on all machines.
- (003342-) The part can be used on all machines beginning with the serial number listed.
- (000000-004320) The part can be used on all machines up to and including serial number listed.
- (004321-005678) The part can be used on all machines between and including the serial numbers listed.

Where xxxxxx's are listed in place of a serial number, it indicates a change was made but the exact serial number had not been established when the catalog went to press.

SI UNITS OF MEASURE (INTERNATIONAL SYSTEM)

Metric equivalents have been included, where applicable, throughout this parts catalog.

FASTENER STRENGTH IDENTIFICATION

Fasteners required to have high-strength qualities equivalent to SAE Grade 8 are identified throughout this catalog by the description GR 8. Unless identified by this description, all standard fasteners are SAE Grade 5.

(Specifications and design subject to change without notice.)

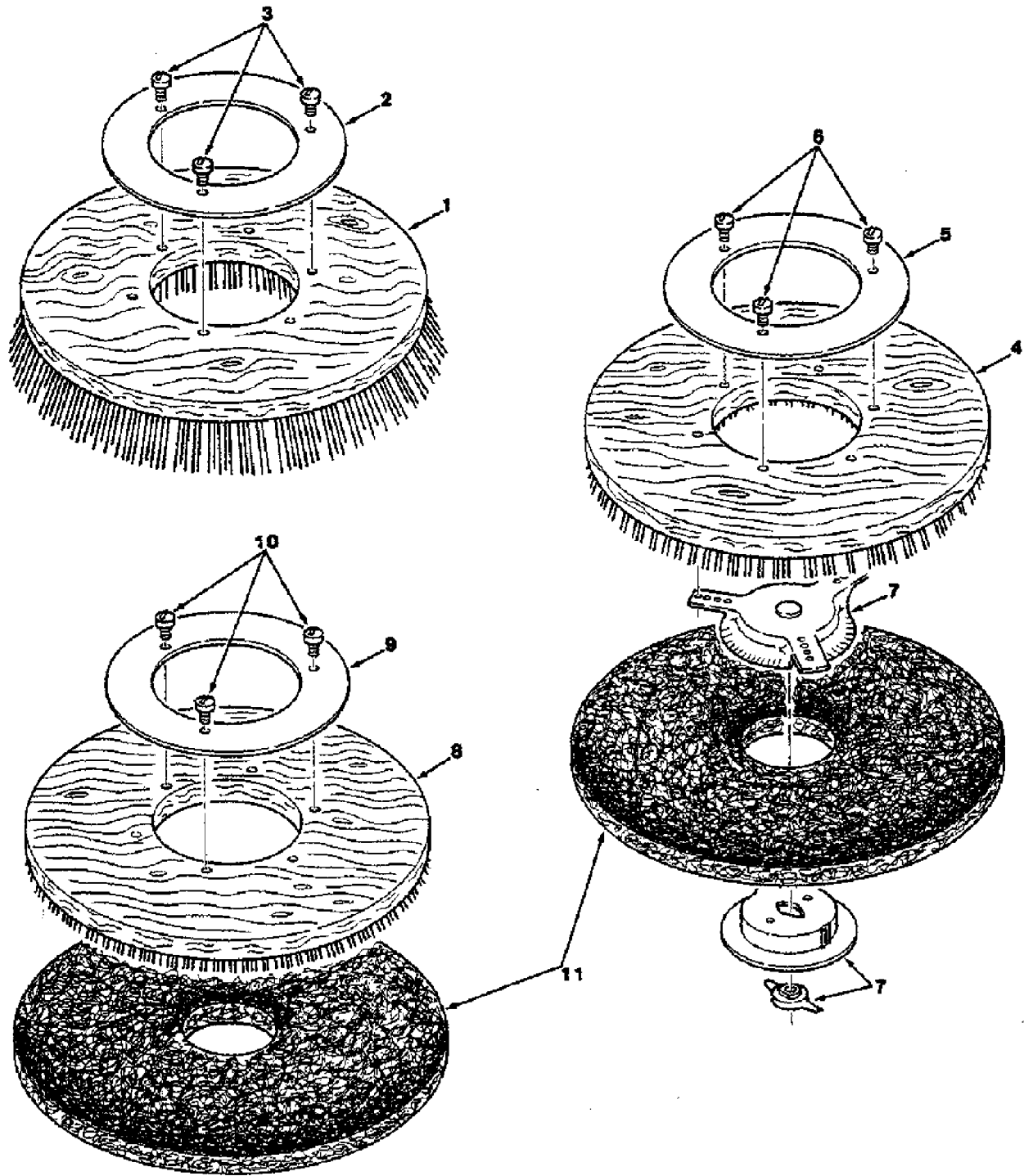


Fig. 1 - Replacement Brushes

Fig. 1 - Replacement Brushes

00799

Key	Tennant® Part No.	Machine Serial Number	Description	Qty.
1	63301-1	(019700-)	Brush Assembly, Tynex-A	2
	63301	(019700-)	Brush, Tynex-A	1
2	63384	(019700-)	Plate, Brush	1
3	SK2760	(019700-)	Replacement Kit, Brush Pin	3
	63302-1	(019700-)	Brush Assembly, Union Mix	2
	63302	(019700-)	Brush, Union Mix	1
	63384	(019700-)	Plate, Brush	1
	SK2760	(019700-)	Replacement Kit, Brush Pin	3
	63303-1	(019700-)	Brush Assembly, Bassine	2
	63303	(019700-)	Brush, Bassine	1
	63384	(019700-)	Plate, Brush	1
	SK2760	(019700-)	Replacement Kit, Brush Pin	3
	63305-1	(019700-)	Brush Assembly, Stainless Steel	2
	63305	(019700-)	Brush, Stainless Steel	1
	63384	(019700-)	Plate, Brush	1
	SK2760	(019700-)	Replacement Kit, Brush Pin	3
	63313-1	(019700-)	Brush Assembly, Polypropylene, Light	2
	63313	(019700-)	Brush, Polypropylene, Light	1
	63384	(019700-)	Plate, Brush	1
	SK2760	(019700-)	Replacement Kit, Brush Pin	3
	16955-1	(019700-)	Brush Assembly, Nylon	2
	16955	(019700-)	Brush, Nylon	1
	63384	(019700-)	Plate, Brush	1
	SK2760	(019700-)	Replacement Kit, Brush Pin	3
4	63304-1	(019700-)	Pad Drive Assembly	2
	63304	(019700-)	Pad, Drive	1
5	63384	(019700-)	Plate, Brush	1
6	SK2760	(019700-)	Replacement Kit, Brush Pin	3
7	63249	(019700-)	Holder, Pad	2
8	45131-1	(019700-)	Pad Drive Assembly, Insta-Lok	2
	45131	(019700-)	Pad Drive, Insta-Lok	1
9	63384	(019700-)	Plate, Brush	1
10	SK2760	(019700-)	Replacement Kit, Brush Pin	3
11	63248-1	(019700-)	Pad, Stripper, Brown	2
	63248-2	(019700-)	Pad, Cleaner, Blue	2
	63248-3	(019700-)	Pad, Buffer, Red	2
	63248-4	(019700-)	Pad, Polish, White	2

STANDARD MODEL PARTS

Fig. 2 - Recommended General Maintenance Items

00800

Key	Tennant® Part No.	Machine Serial Number	Description	Qty.
	59484	(019700-)	Replacement Parts Package	1
	63967	(019700-)	Blade, Front Squeegee	2
	03856	(019700-)	Blade, Rear Squeegee	2
	63144	(019700-)	Filter, Vacuum Fan	1
	63080	(019700-)	Foam, Filter	1
	63143	(019700-)	Screen	1
	63241	(019700-)	Skirt	2
	63484	(019700-)	Skirt	2
	75946	(019700-)	Strip, Filler	1
	03857	(019700-)	Strip, Rear Backup	2
	45595	(019700-)	Fuse, 10 A	1
	63738	(019700-)	Fuse, 15 A	1
	45975	(019700-)	Fuse, 30 A	1
	01771	(019700-)	Maintenance Kit, Skirts and Seals	1
	32789	(019700-)	Strip, Deflector	1
	32788	(019700-)	Strip, Backing	1
	63484	(019700-)	Skirt	2
	63485	(019700-)	Retainer, Skirt	2
	63241	(019700-)	Skirt	2
	63240	(019700-)	Strip, Retainer	2
	75946	(019700-)	Strip, Filler	1
	62595-5	(019700-)	Molding, Rigid	2
	63289	(019700-)	Seal, Drain	1
	03414	(019700-)	Seal, Transition	2
	01942	(019700-)	Seal, Fan Rear Mount	2
	01943	(019700-)	Seal, Fan Front Mount	1
	01914	(019700-)	Seal, Vacuum Fan	1
	01944	(019700-)	Seal, Rubber	1
	47037	(019700-)	Adhesive, 50 oz (148 cc) Tube	1
	01774	(019700-)	Skirts and Seals Kit, Pre-Sweep	1
	75979	(019700-)	Skirt, Slit	1
	75978	(019700-)	Strip, Retainer	1
	75946	(019700-)	Strip, Filler	1
	75955	(019700-)	Flap, Windrow	1
	75956	(019700-)	Flap, Windrow	1
	75968	(019700-)	Seal, Bearing	1
	75972	(019700-)	Skirt	2
	75971	(019700-)	Strip, Retainer	2
	75969	(019700-)	Strip, Filler	2
	75959	(019700-)	Skirt	1

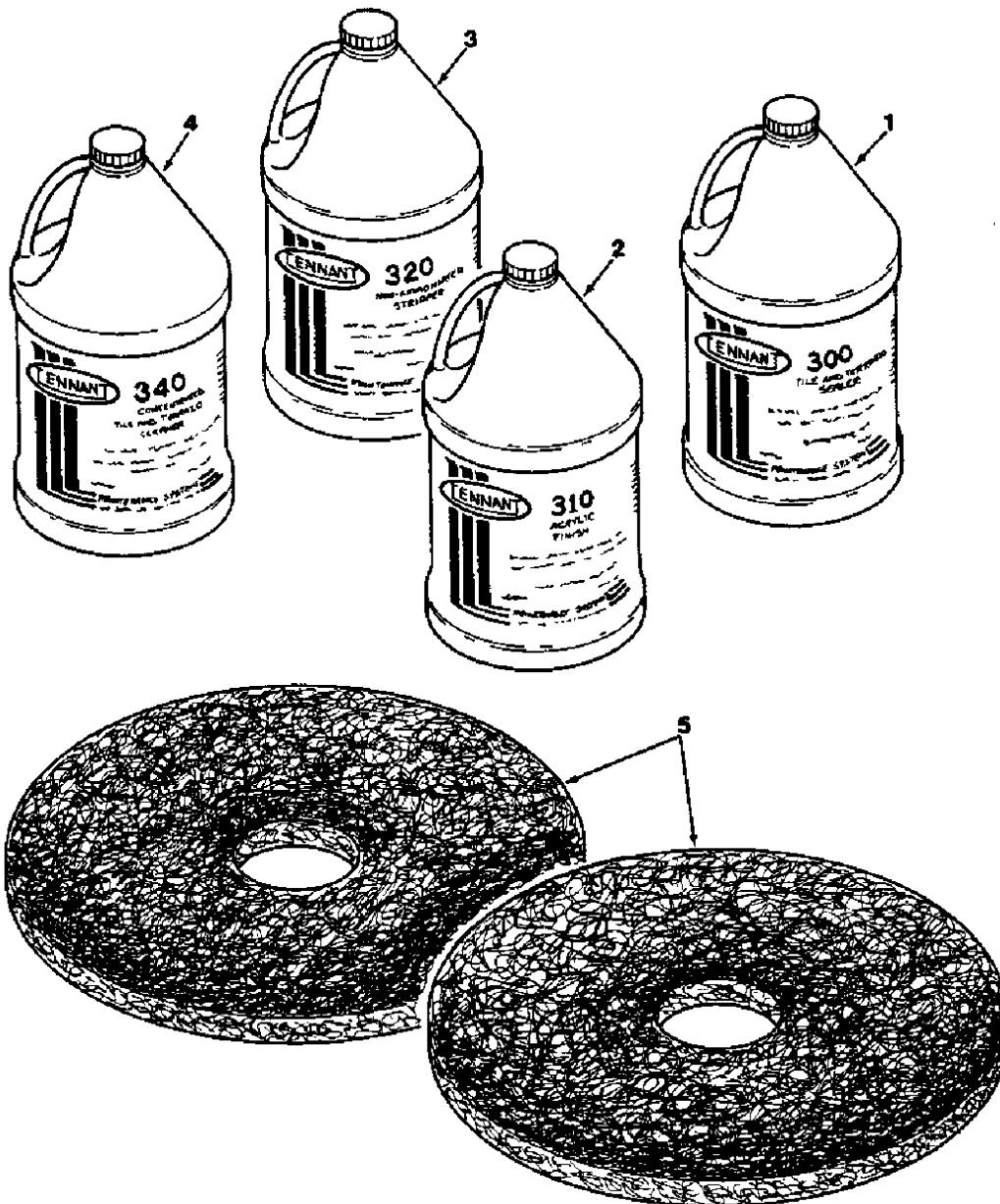


Fig. 3 - Floor Care Kit

Key	Tennant® Part No.	Machine Serial Number	Description	Qty.
	45074	(019700-)	Floor Care Kit	1
1	08672-1	(019700-)	300 Tile and Terazzo Sealer, 1 Gal (3.8L)	1
2	08673-1	(019700-)	310 Acrylic Finish, 1 Gal (3.8L)	1
3	08674-1	(019700-)	320 Non-Ammoniated Stripper, 1 Gal (3.8L)	1
4	08676-1	(019700-)	340 Tile and Terazzo Cleaner, 1 Gal (3.8L)	1
5	63248-1	(019700-)	Pad, Stripper, Brown	2
5	63248-3	(019700-)	Pad, Buffer, Red	2

02623

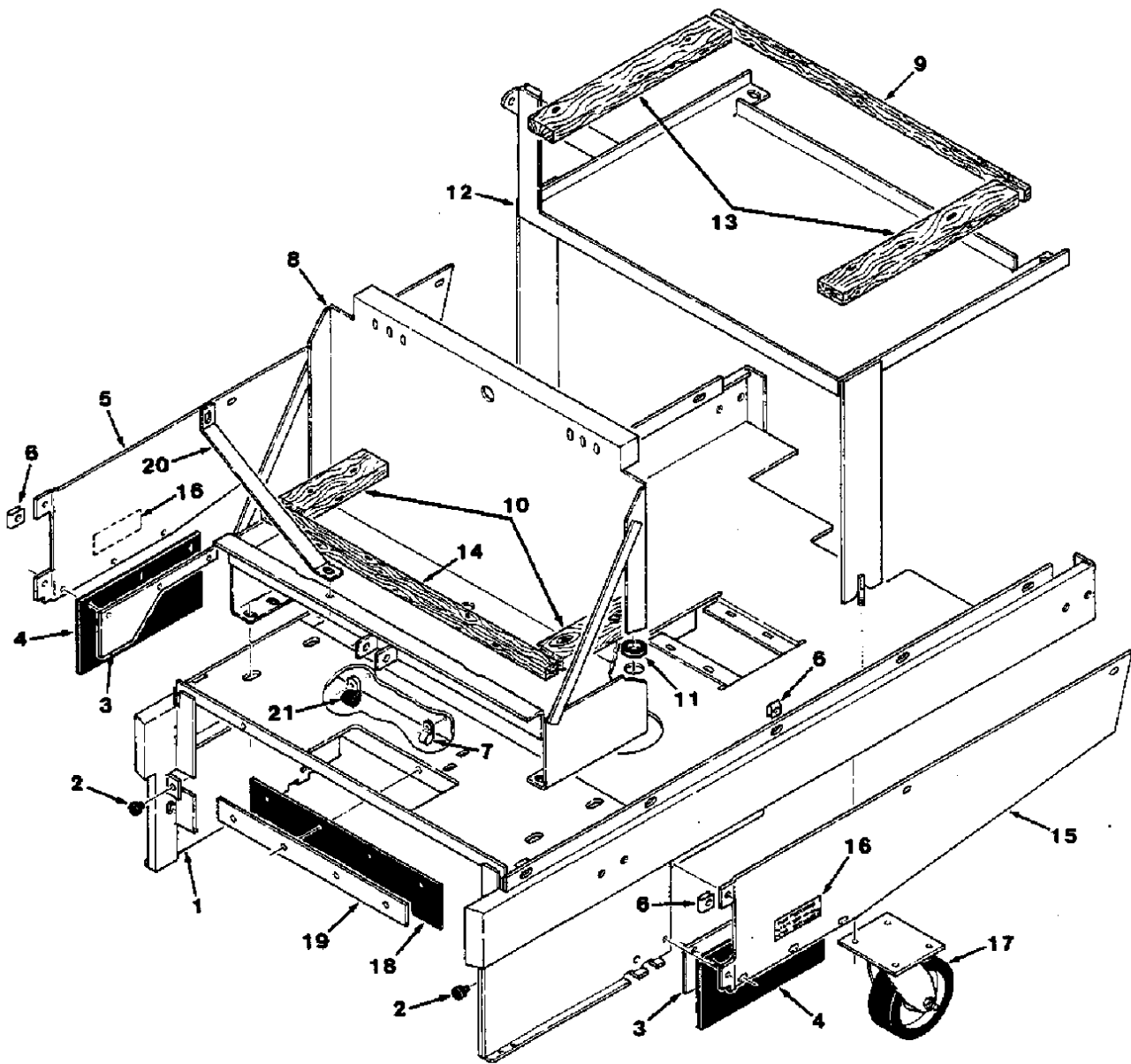


Fig. 4 - Main Frame Group

Fig. 4 - Main Frame Group

00843

Key	Tennant® Part No.	Machine Serial Number	Description	Qty.
1	39444	(019700-)	Frame, Main	1
2	51787	(019700-)	Bumper, Rubber	2
3	63485	(019700-)	Retainer, Skirt	2
4	63484	(019700-)	Skirt	2
5	27899	(019700-)	Cover, Wheel, R.H.	1
6	63335	(019700-)	Nut, U	14
7	06777	(019700-)	Clamp, Cable	1
8	03432	(019700-)	Tray, Battery	1
9	63063	(019700-)	Shim, Wood	1
10	63061	(019700-)	Shim, Wood	2
11	04051	(019700-)	Grommet	1
12	16590	(019700-)	Tray, Battery	1
13	63062	(019700-)	Shim, Wood	2
14	63059	(019700-)	Shim, Wood	1
15	27898	(019700-)	Cover, Wheel, L.H.	1
16	45109	(019700-)	Decal, Tie Pressure	2
17	18645	(019700-)	Caster	2
18	32789	(019700-)	Strip, Deflector	1
19	32788	(019700-)	Retainer, Backing	1
20	78271	(019700-)	Strap	1
21	49287	(019700-)	Clamp, Cable	1

Home

Find...

Go To..



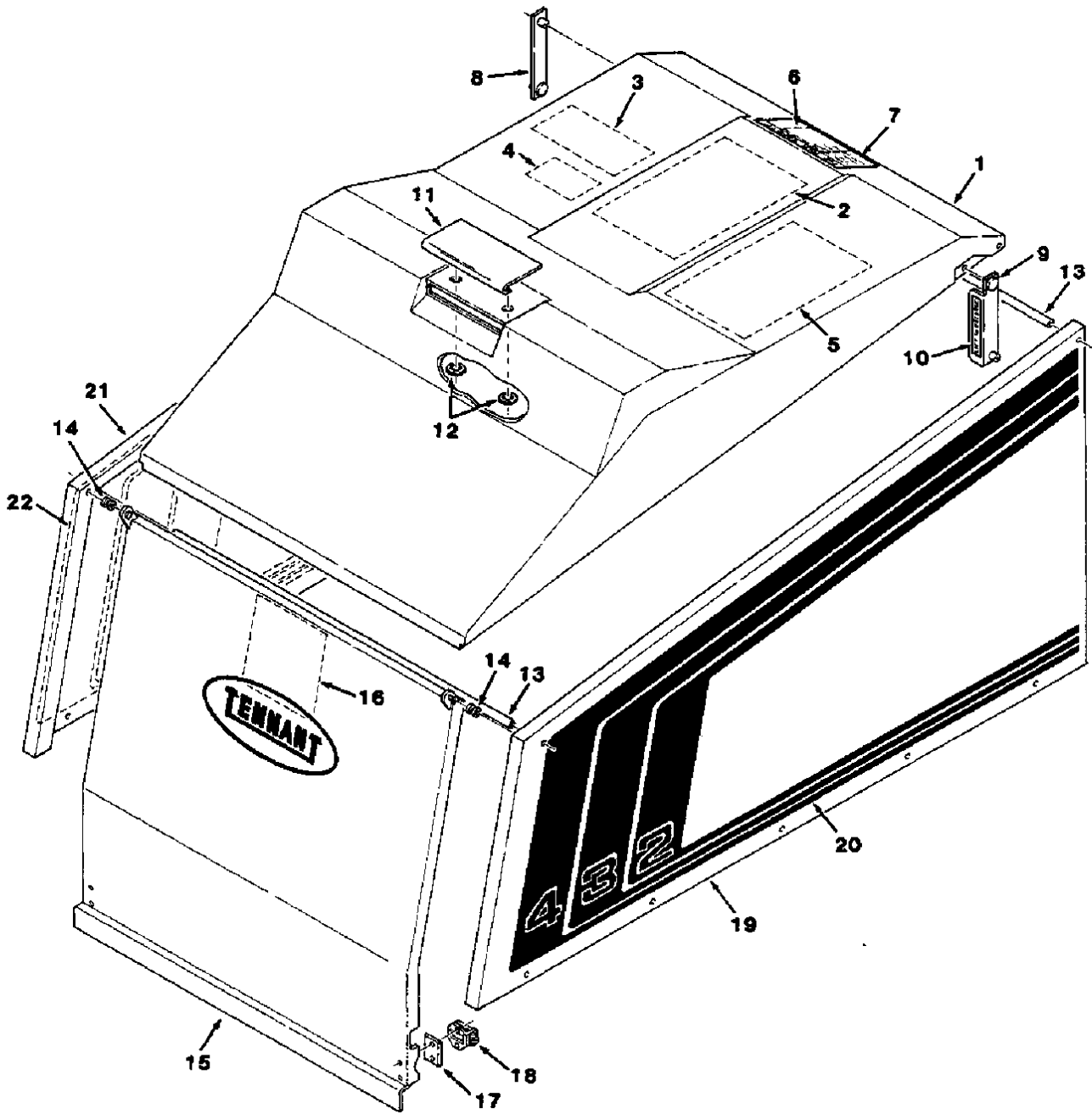


Fig. 5 - Hood and Covers Group

Fig. 5 - Hood and Covers Group

00842

Key	Tennant® Part No.	Machine Serial Number	Description	Qty.
1	01949	(019700-)	Replacement Kit, Hood	1
2	01890	(019700-)	Label, Wiring Diagram	1
3	63963	(019700-)	Decal, Warning, Cleaning Agents	1
4	37101	(019700-)	Decal, Patent, Scrubber	1
5	63745	(019700-)	Decal, Charging Instruction	1
6	32514	(019700-)	Decal, Caution, Charging	1
7	32784	(019700-)	Label, For Safety	1
8	63473-1	(019700-)	Bar, Pivot, R.H.	1
9	32313	(019700-)	Bar, Pivot, L.H.	1
10	27854	(019700-)	Decal, Hood Latch	1
11	63421-1	(019700-)	Handle, Hood	1
12	29570-2	(019700-)	Washer	2
13	63497	(019700-)	Pin, Hinge	2
14	63469-2	(019700-)	Bearings, Snap-in	2
15	39403	(019700-)	Panel, Front	1
16	45940	(019700-)	Decal, Brush Change	1
17	63021	(019700-)	Strip	2
18	64903	(019700-)	Catch, Door Roller	2
19	63830	(019700-)	Cover, L.H.	1
20	63848	(019700-)	Decal, 432 and Stripes, L.H.	1
21	63828	(019700-)	Cover, R.H.	1
22	63849	(019700-)	Decal, 432 and Stripes, R.H.	1

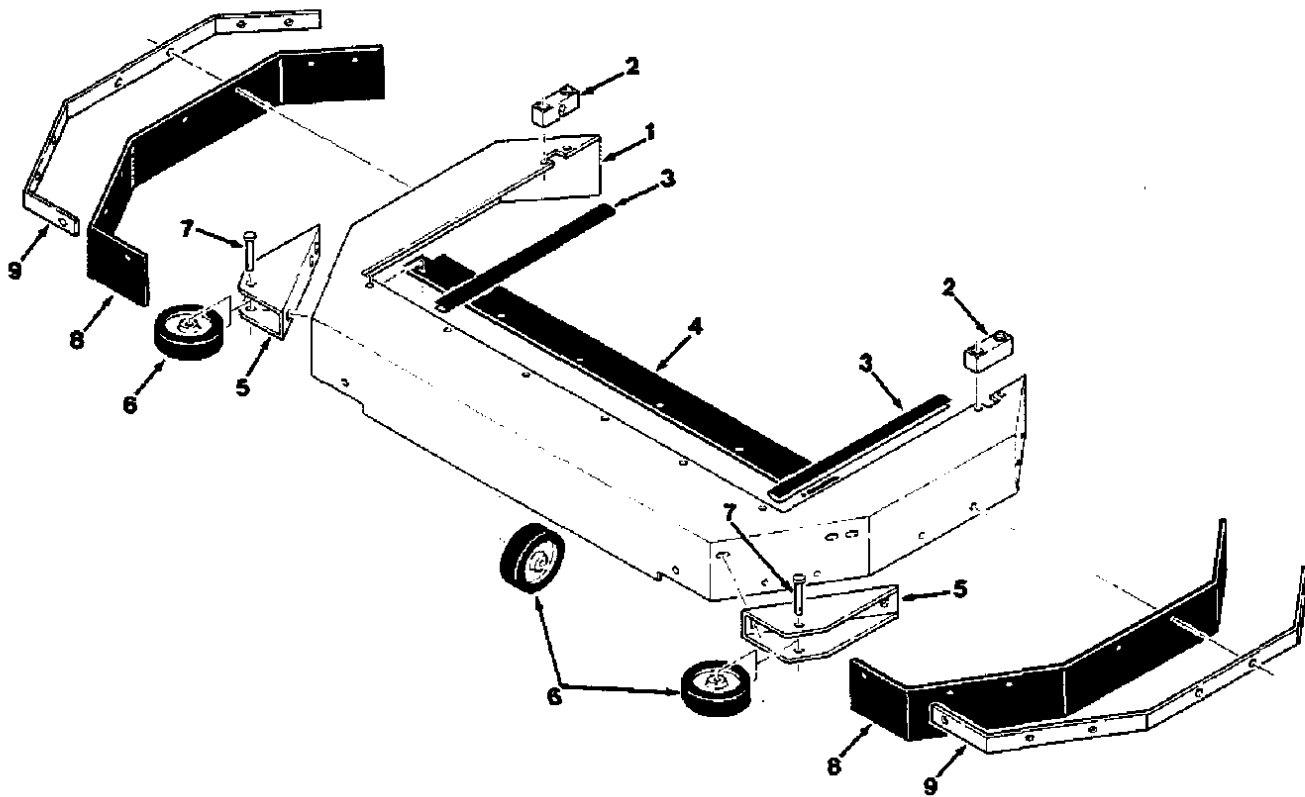


Fig. 6 - Scrub Head Cover Group

00846

Key	Tennant® Part No.	Machine Serial Number	Description	Qty.
1	27853	(019700-)	Cover, Scrub Head	1
2	63095	(019700-)	Clip	2
3	62595-5	(019700-)	Molding, Rigid	2
4	75946	(019700-)	Skirt, Filler	1
5	27848	(019700-)	Mount, Caster	2
6	29653	(019700-)	Caster	3
7	17461	(019700-)	Pin, Clevis	2
8	63241	(019700-)	Skirt	2
9	63240	(019700-)	Retainer, Skirt	2

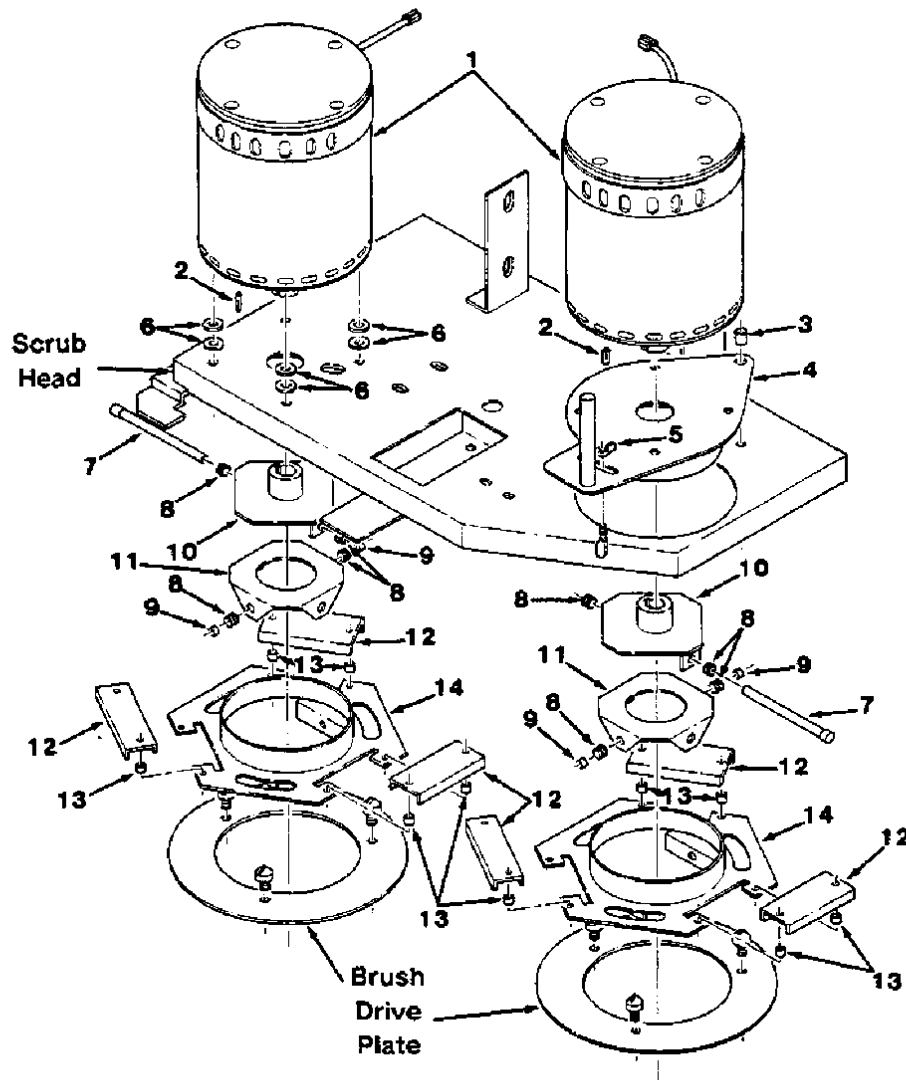


Fig. 7 - Scrub Brush Motor Group

00844

Key	Tennant® Part No.	Machine Serial Number	Description	Qty.
1	63431	(019700-)	Motor, Electric	2
2	00926	(019700-)	Key, Square	2
3	45935	(019700-)	Bushing, Sleeve	1
4	45934	(019700-)	Mount, Motor	1
5	39273	(019700-)	Nut, Wing	1
6	32490	(019700-)	Washer	8
7	63160	(019700-)	Shaft, Pivot	2
8	63469-3	(019700-)	Bearing, Snap-In	8
9	63342	(019700-)	Sleeve	4
10	63813	(019700-)	Adaptor, Brush Motor	2
11	63341	(019700-)	Plate, Brush Pivot	2
	63375	(019700-)	Drive Ring Assembly	2
12	63378	(019700-)	Magnet, Brush Drive	3
13	63379-1	(019700-)	Washer, Nylon	6
14	63377	(019700-)	Adaptor, Brush Drive	1

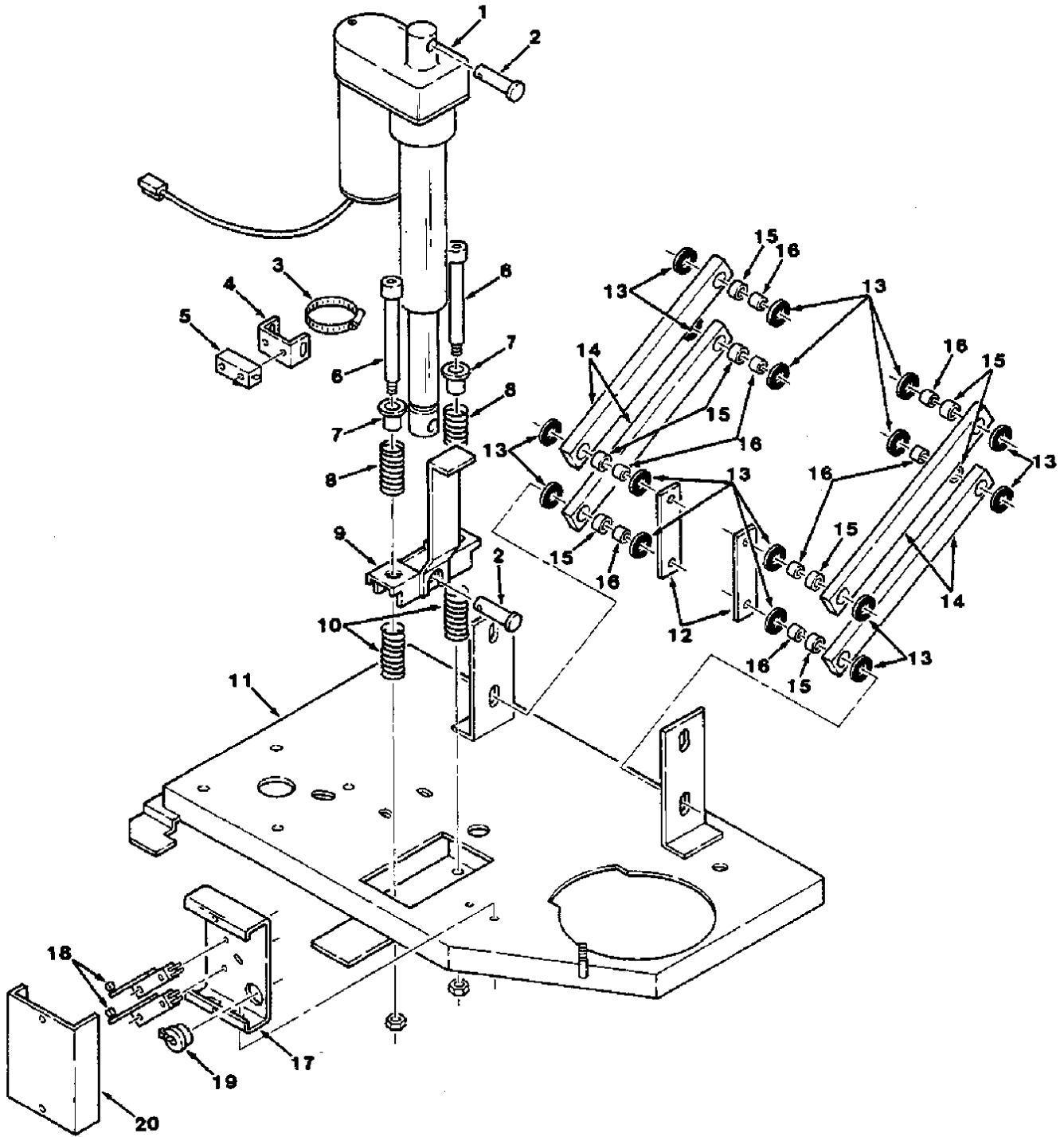


Fig. 8 - Scrub Head Lift Group

Fig. 8 - Scrub Head Lift Group

00845

Key	Tennant® Part No.	Machine Serial Number	Description	Qty.
1	63229	(019700-020513)	Actuator	1
1	01951	(020514-)	Actuator	1
2	63147	(019700-)	Pin, Clevis	2
3	22297	(019700-)	Clamp, Worm Drive	1
4	63483	(019700-)	Support, Switch	1
5	63846	(019700-)	Switch, Pushbutton	1
6	45960	(019700-)	Screw, Shoulder	2
7	50682	(019700-)	Sleeve	2
8	45261	(019700-)	Spring, Compression	2
9	32793	(019700-)	Headlift	1
10	63399-1	(019700-)	Spring, Compression	2
11	39452	(019700-)	Head, Scrub	1
12	27881	(019700-)	Bar, Spreader	2
13	59633	(019700-)	Bearing, Thrust	16
14	63175-1	(019700-)	Arm Assembly, Link	4
15	63233	(019700-)	Bearing	2
16	63234	(019700-)	Sleeve, Bearing	8
17	63193-1	(019700-)	Bracket, Switch	1
18	63798	(019700-)	Switch	2
19	37031	(019700-)	Strain Relief	1
20	63194	(019700-)	Cover, Switch	1

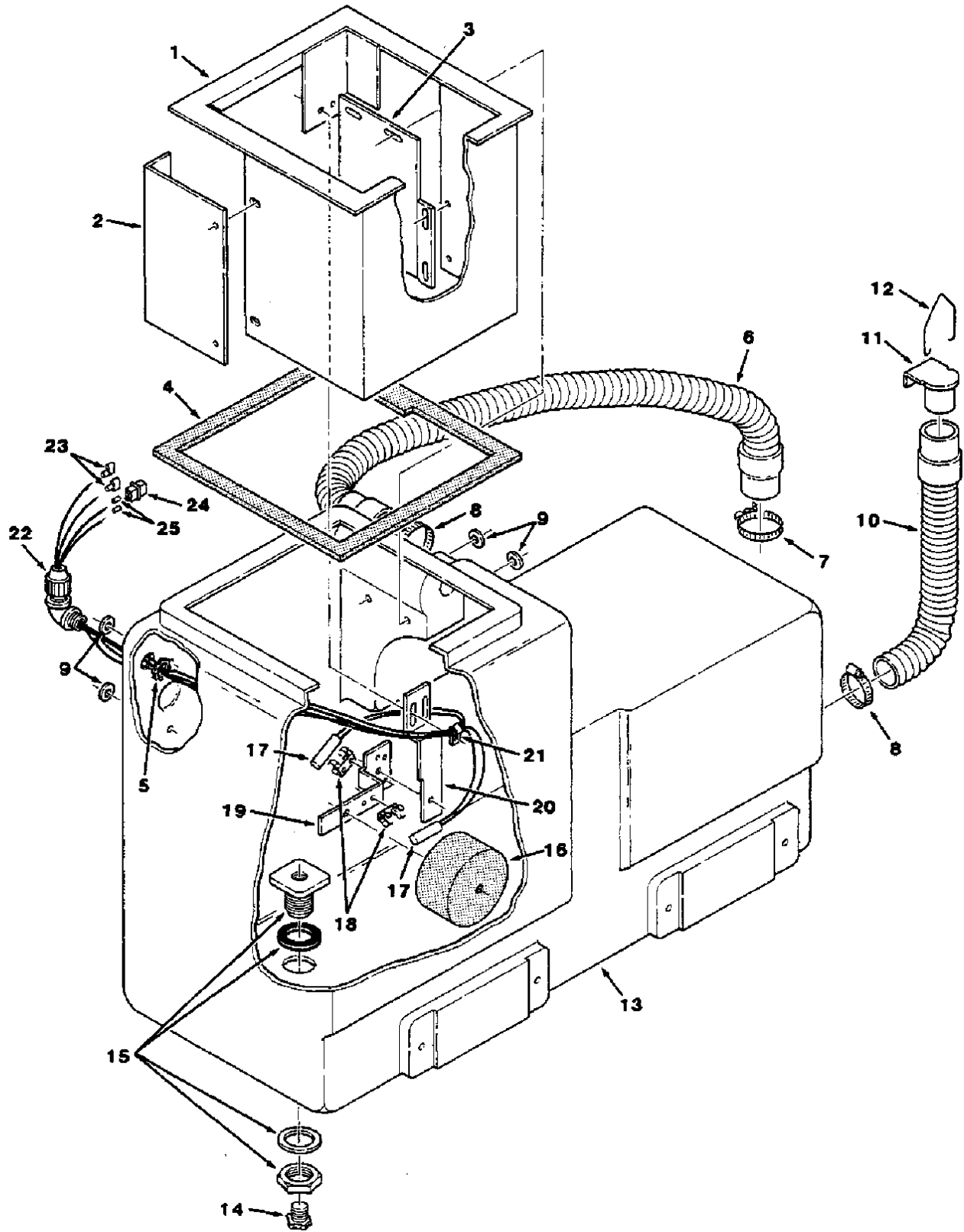


Fig. 9 - Recovery Tank Group

Fig. 9 - Recovery Tank Group

02624

Key	Tennant® Part No.	Machine Serial Number	Description	Qty.
1	31212	(019700-)	Baffle	1
2	31206	(019700-)	Bracket, Mounting	1
3	31207	(019700-)	Bracket, Offset	1
4	03415	(019700-)	Seal, Baffle	1
5	01965	(019700-)	Nut, Lock, Sealing	1
6	08027	(019700-)	Hose Assembly	1
7	45949	(019700-)	Clamp, Band	1
8	22297	(019700-)	Clamp, Worm Drive	2
9	76426	(019700-)	Washer, Sealing	4
10	32777	(019700-)	Hose, Drain	1
11	20215	(019700-)	Plug	1
12	20267	(019700-)	Clip, Retainer	1
13	03846	(019700-)	Tank, Recovery	1
14	75611	(019700-)	Fitting, Plug	1
15	63727	(019700-)	Fitting, Bulkhead	1
16	45937	(019700-)	Float	1
17	01889	(019700-)	Switch, Mercury	2
18	40131	(019700-)	Clip, Mercury Switch	2
19	63985	(019700-)	Lever, Float	1
20	63984	(019700-)	Bracket, Mounting	1
21	76736	(019700-)	Clamp, Cable	1
22	01893	(019700-)	Elbow, Strain Relief	1
23	45223	(019700-)	Terminal, Male	2
24	50471	(019700-)	Connector	1
25	29859	(019700-)	Pin, Male	2

Home

Find...

Go To..



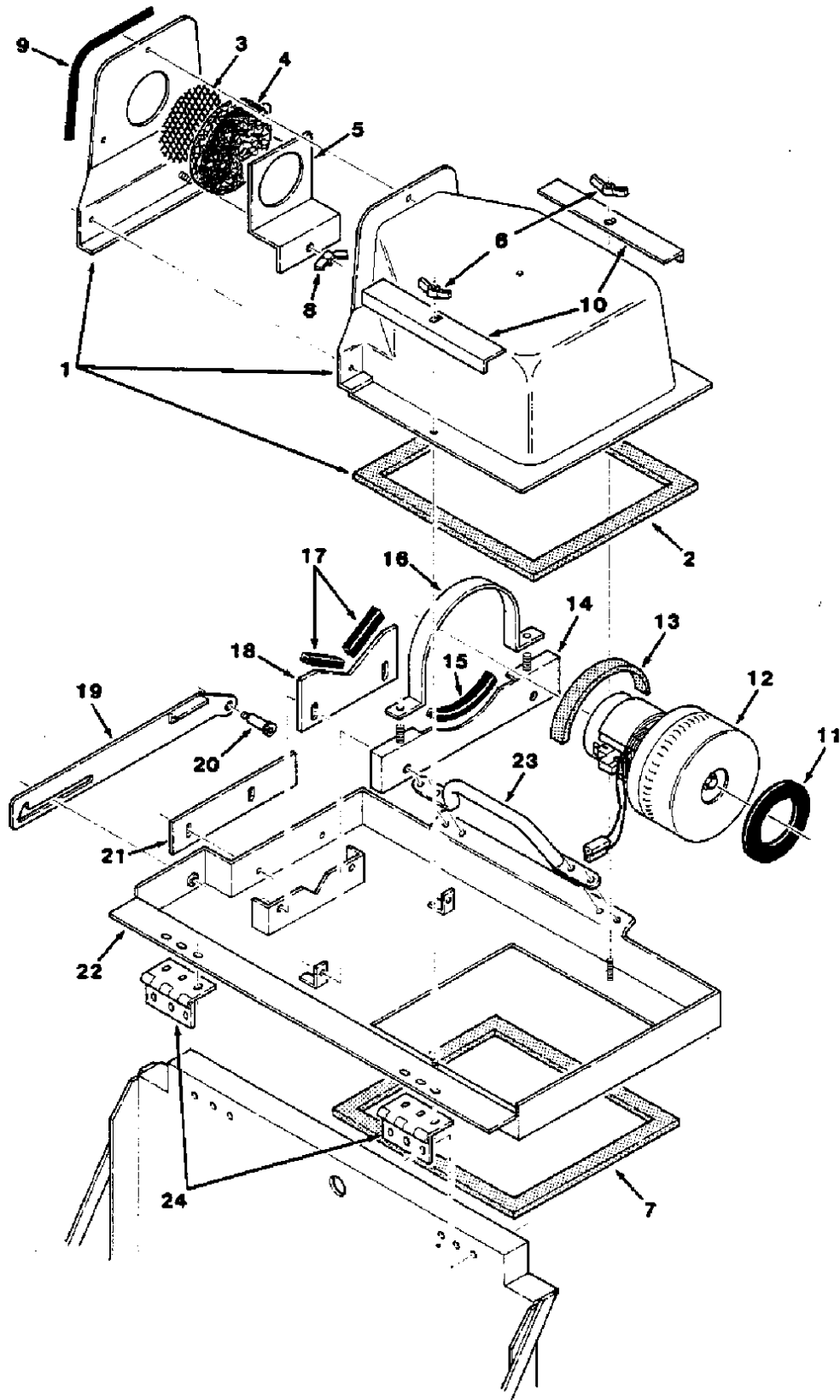


Fig. 10 - Vacuum Fan Group

Fig. 10 - Vacuum Fan Group

02625

Key	Tennant® Part No.	Machine Serial Number	Description	Qty.
1	03426	(019700-)	Replacement Kit, Transition	1
2	03414	(019700-)	Seal, Transition	1
3	01948	(019700-)	Screen	1
4	63144	(019700-)	Filter	1
5	01946	(019700-)	Bracket, Filter	1
6	39270	(019700-)	Nut, Wing	2
7	03414	(019700-)	Seal, Transition	1
8	31703	(019700-)	Nut, Wing	1
9	57569	(019700-)	Molding, Rigid	1
10	01913	(019700-)	Bracket, Mounting	2
11	01914	(019700-)	Seal, Vacuum Fan	1
12	63230	(019700-)	Fan, Vacuum	1
13	01944	(019700-)	Seal, Foam Rubber	1
14	01936	(019700-)	Mount, Fan	1
15	01943	(019700-)	Seal	1
16	01940	(019700-)	Band, Mounting	1
17	01942	(019700-)	Seal	2
18	01941	(019700-)	Mount, Rear	1
19	01947	(019700-)	Link	1
20	56060	(019700-)	Screw, Shoulder	1
21	78262	(019700-)	Support	1
22	31221	(019700-)	Plate, Mounting	1
23	32822	(019700-)	Handle, Grab	1
24	47974	(019700-)	Hinge	2

STANDARD MODEL PARTS

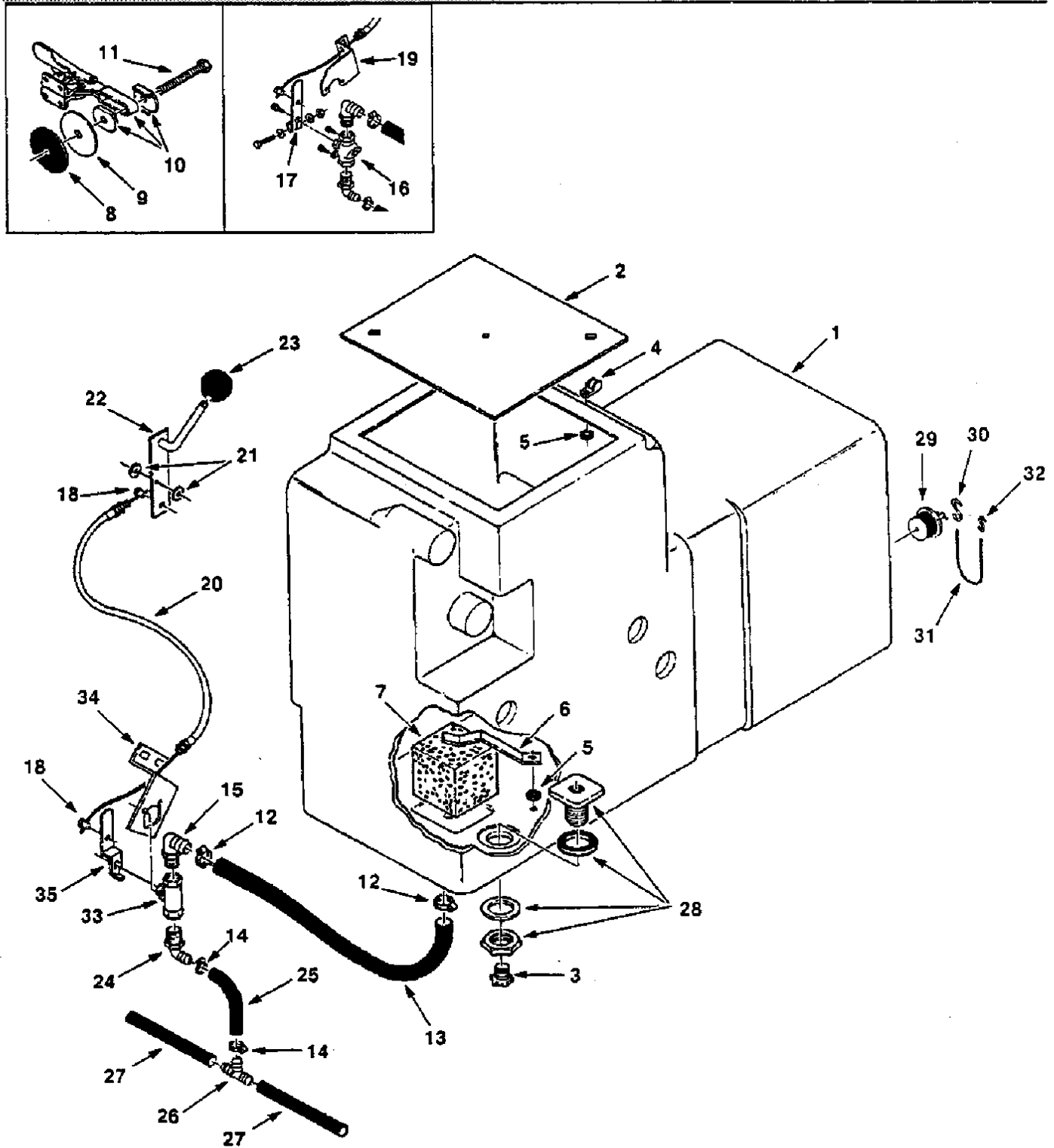


Fig. 11 - Solution Tank and Control Group

Fig. 11 - Solution Tank and Control Group

00848

Key	Tennant® Part No.	Machine Serial Number	Description	Qty.
1	03441	(019700-)	Tank, Solution	1
2	63445-1	(019700-)	Cover, Top	1
3	75611	(019700-)	Fitting, Plug	1
4	26395-1	(019700-)	Clamp, Cable	2
5	76426	(019700-)	Washer, Sealing	3
6	63705	(019700-)	Spring, Retainer	1
7	63080	(019700-)	Foam, Filter	1
8	63289	(019700-023496)	Seal, Drain	1
9	63288	(019700-023496)	Washer	1
10	08029	(019700-023496)	Fast Drain Kit	1
11	41164	(019700-023496)	Screw, Hex	1
12	63810	(019700-)	Clamp, Worm Drive	2
13	63183	(019700-)	Hose	1
14	54333	(019700-)	Clamp, Worm Drive	2
15	63244-2	(019700-)	Fitting, Elbow, Barbed	1
16	12049	(019700-027401)	Valve Replacement Kit	1
17	50572	(019700-027401)	Lever, Water Valve	1
18	43242	(019700-)	Swivel	2
19	63478	(019700-027401)	Bracket, Valve Mounting	1
20	63475	(019700-)	Cable Assembly	1
21	43454	(019700-)	Washer, Nylon	2
22	63482	(019700-)	Handle	1
23	26565	(019700-)	Knob	1
24	63244-1	(019700-)	Fitting, Elbow, Barbed	1
25	63184	(019700-)	Hose, Vinyl	1
26	63245-1	(019700-)	Fitting, Tee, Barbed	1
27	63182	(019700-)	Hose, Vinyl	2
28	63727	(019700-)	Fitting, Bulkhead	1
29	56504	(023497-)	Plug, Expandable	1
30	01321	(023497-)	Hook, S	1
31	08026	(023497-)	Chain	1
32	43363	(023497-)	Hook, S	1
33	12770	(027402-)	Valve, Water	1
34	12090	(027402-)	Bracket, Mount	1
35	12062	(027402-)	Arm, Water Valve	1

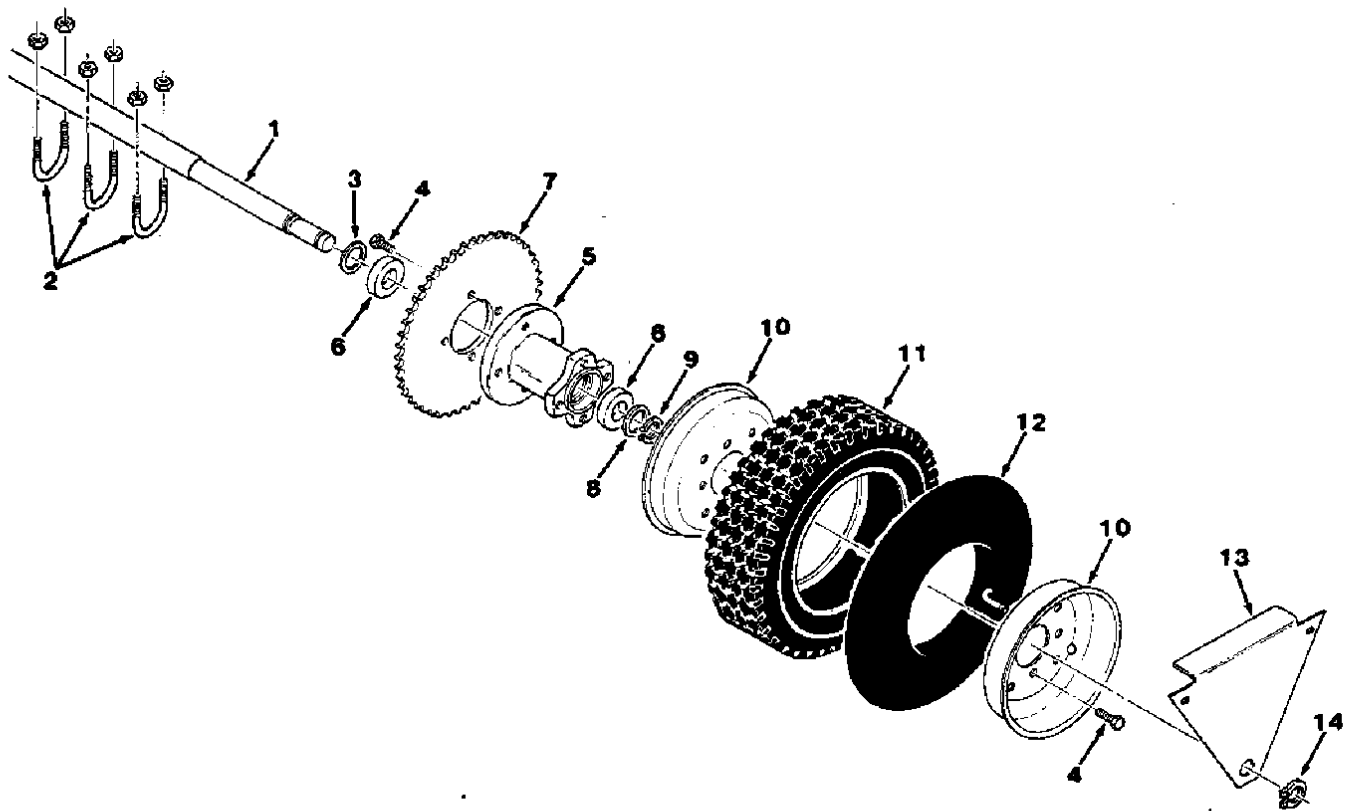


Fig. 12 - Drive Wheel Group

00854

Key	Tennant® Part No.	Machine Serial Number	Description	Qty.
1	63118	(019700-)	Axle	1
2	45142	(019700-)	Bolt, U	3
3	45145	(019700-)	Shim, Wheel	4
4	21197	(019700-)	Screw, Hex	8
5	63749	(019700-)	Housing and Bearing Assembly	2
6	63268B-3	(019700-)	Bearing, Ball	2
7	32182	(019700-)	Sprocket, Drive	2
8	45144	(019700-)	Washer	18
9	09663-7	(019700-)	Ring, Retaining	2
	03851	(019700-)	Tire and Rim Assembly	2
10	63268-2	(019700-)	Rim, Set	1
11	63268-1	(019700-)	Tire	1
12	63268-6	(019700-)	Tube	1
13	45139	(019700-)	Support, Axle	2
14	09663-6	(019700-)	Ring, Retaining	2

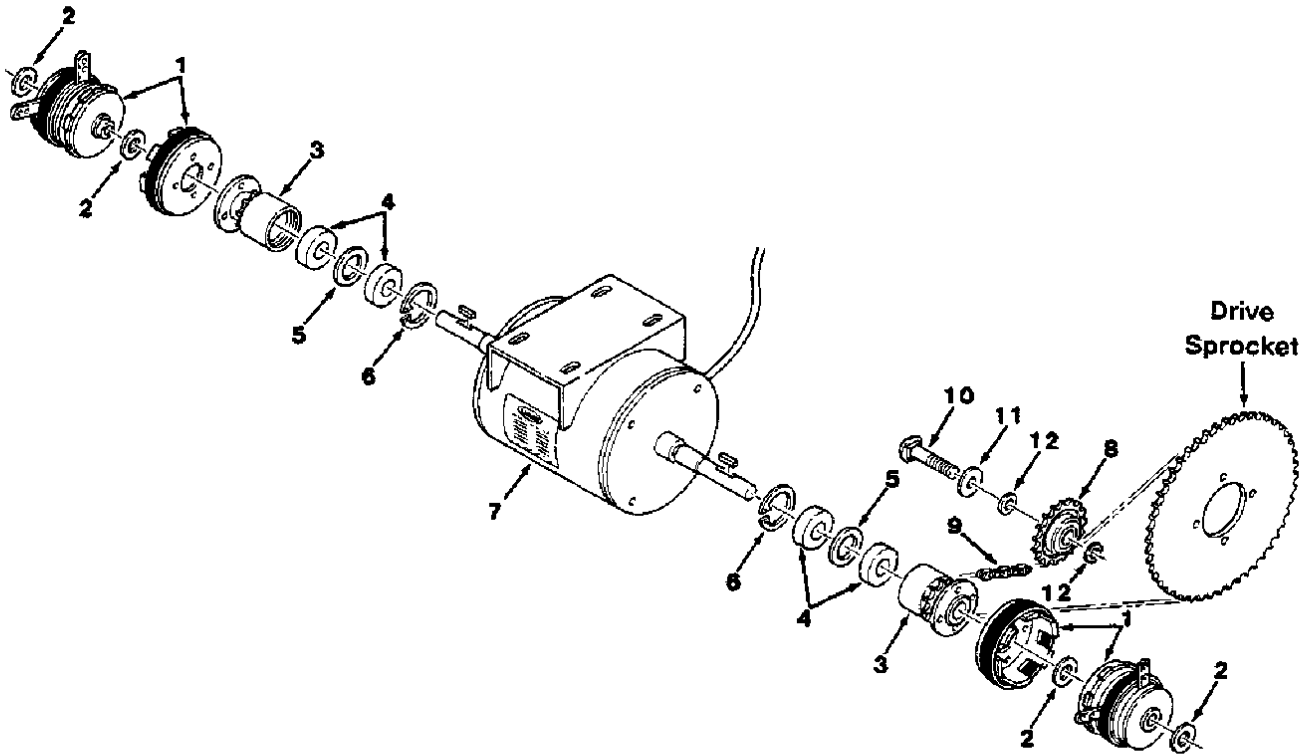


Fig. 13 - Drive Motor Group

00853

Key	Tennant® Part No.	Machine Serial Number	Description	Qty.
1	SK2768	(019700-)	Replacement Kit, Clutch	2
	01985	(019700-)	Repair Kit, Clutch	1
2	63468	(019700-)	Washer	4
	63726	(019700-)	Housing Assembly, Bearing	2
3	63200	(019700-)	Housing, Bearing	1
4	63148	(019700-)	Bearing, Ball	2
5	63217	(019700-)	Washer	1
6	63157	(019700-)	Ring, Retaining	1
7	03439	(019700-)	Motor, Drive	1
8	63269	(019700-)	Idler, Chain	2
9	SK2491	(019700-)	Replacement Kit, Chain (set of 2)	1
10	32972	(019700-)	Bolt, Carriage	2
11	32494	(019700-)	Washer	2
12	23996	(019700-)	Washer	6

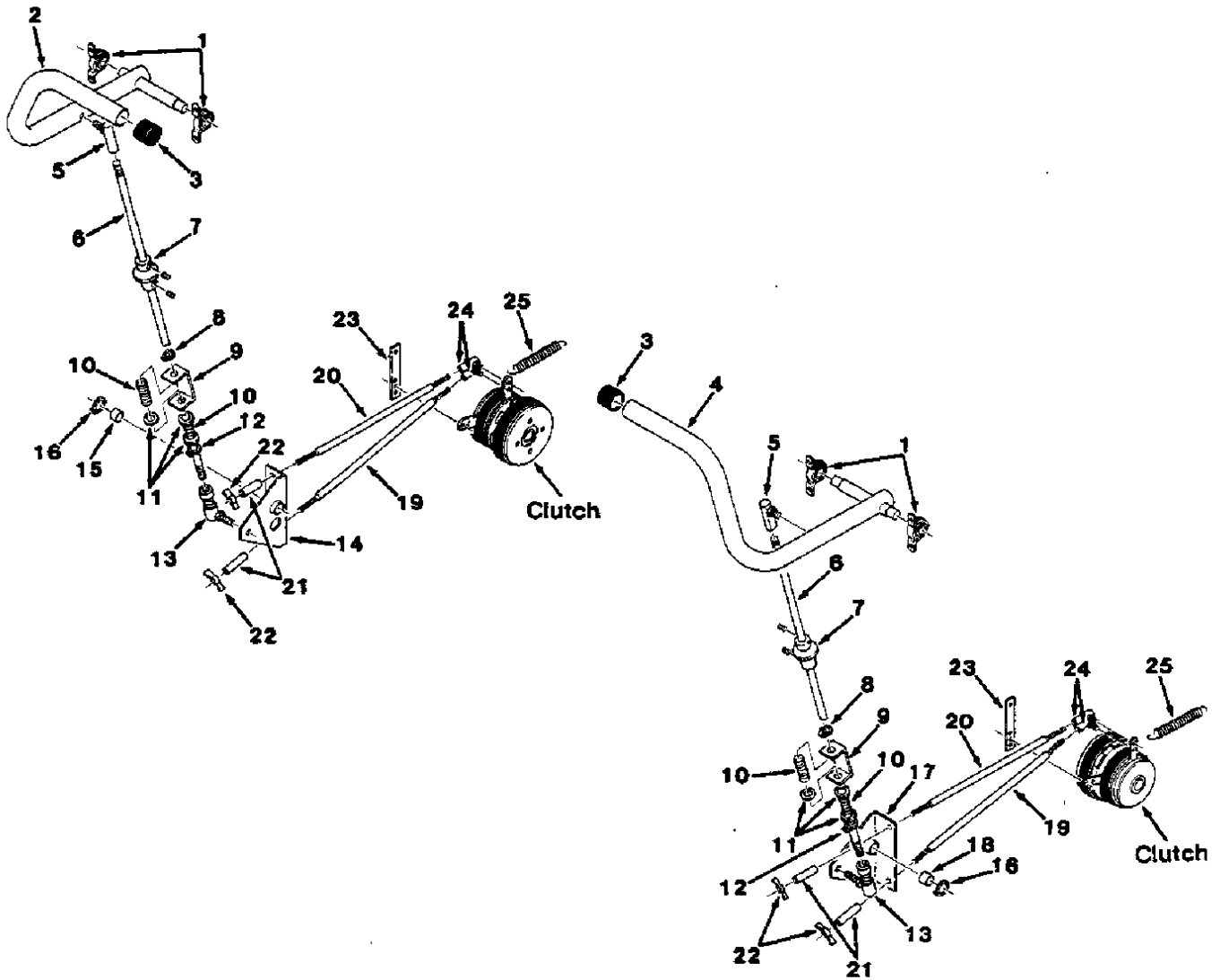


Fig. 14 - Steering Drive Control Group

Fig. 14 - Steering Drive Control Group

00852

Key	Tennant® Part No.	Machine Serial Number	Description	Qty.
1	51304-1	(019700-)	Bearing, Pillowblock	4
2	63494	(019700-)	Handle, L.H.	1
3	32790	(019700-)	Cap, End	2
4	63495	(019700-)	Handle, R.H.	1
5	14506	(019700-)	Ball Joint	2
6	63465	(019700-)	Rod, Linkage	2
7	39456	(019700-)	Cam	2
8	45127	(019700-)	Ring, Retaining	2
9	63060	(019700-)	Channel, Centering	2
10	22290	(019700-)	Spring, Compression	4
11	32492	(019700-)	Washer	6
12	23524-1	(019700-)	Ring, Retaining	2
13	63282	(019700-)	Ball Joint	2
14	39477	(019700-)	Bell Crank Assembly, L.H.	1
15	63189	(019700-)	Bushing	1
16	23524	(019700-)	Ring, Retaining	2
17	39476	(019700-)	Bell Crank Assembly, R.H.	1
18	63189	(019700-)	Bushing	1
19	63069	(019700-)	Stud	2
20	45953	(019700-)	Stud	2
21	63190	(019700-)	Sleeve	4
22	45178	(019700-)	Nut, Wing	4
23	01984	(019700-)	Strip	2
24	14506-1	(019700-)	Ball Joint	4
25	50304	(019700-)	Spring, Tension	2

Home

Find...

Go To..



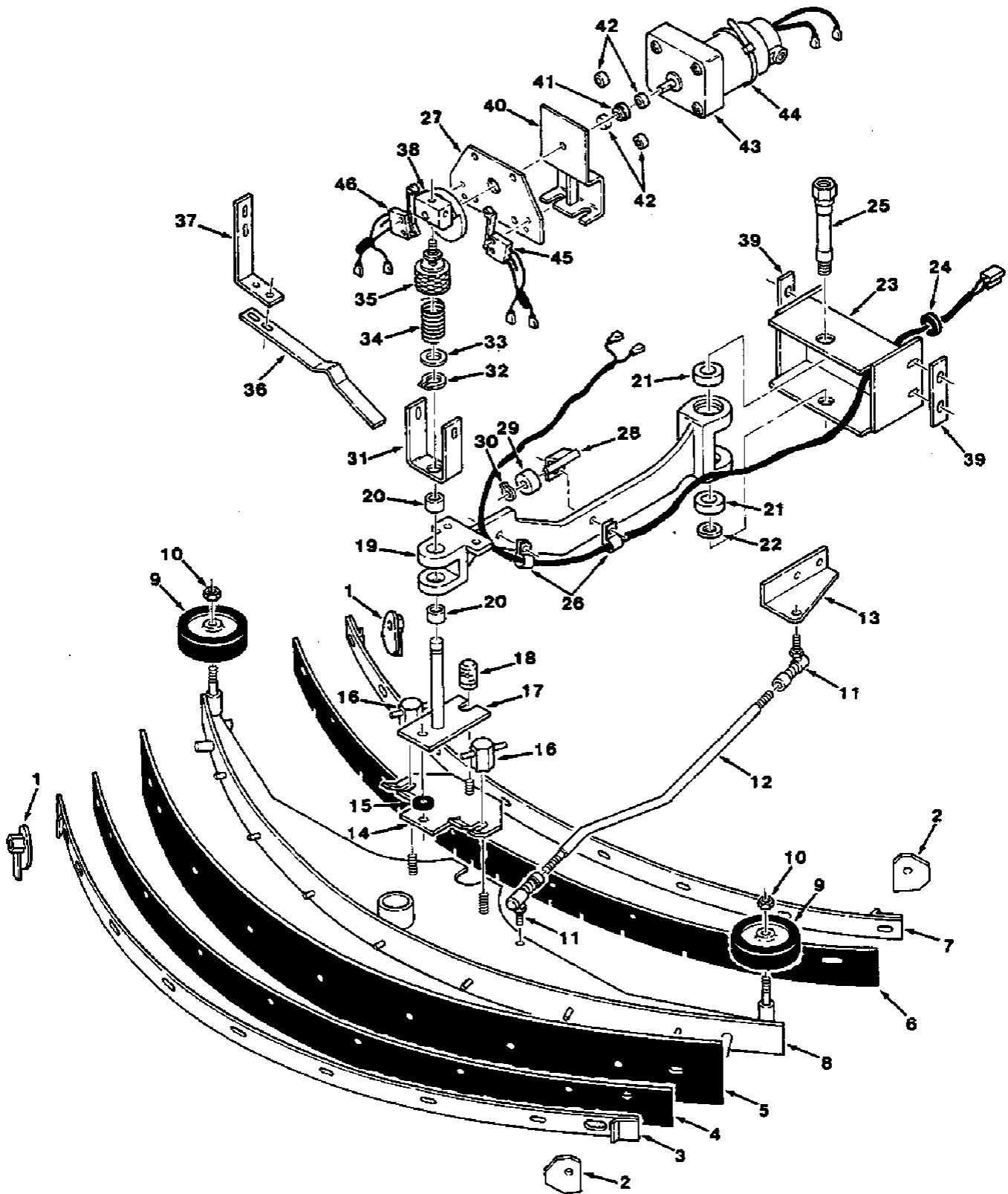


Fig. 15 - Rear Squeegee Group

Fig. 15 - Rear Squeegee Group

00851

Key	Tennant® Part No.	Machine Serial Number	Description	Qty.
	45105	(019700-) Squeegee Assembly	1
1	63329	(019700-) Cam	2
2	63327	(019700-) Cam	2
3	63034	(019700-) Band, Rear	1
4	03857	(019700-) Strip, Rear Backup	1
5	03856	(019700-) Blade, Squeegee	1
6	63967	(019700-) Blade, Squeegee	1
7	63038	(019700-) Band, Front	1
8	63965	(019700-) Frame, Squeegee	1
9	29653	(019700-) Wheel	2
10	36643	(019700-) Nut, Nylon	2
11	63282	(019700-) Ball Joint	2
12	45099	(019700-) Rod, Squeegee Steering	1
13	39449	(019700-) Angle, Pivot, Steering	1
14	45088-1	(019700-) Bracket, Mounting Pivot	1
15	45089	(019700-) Washer, Rubber	1
16	63971	(019700-) Knob Assembly	2
17	63898	(019700-) Plate, Pivot	1
18	45086	(019700-) Knob, Adjustment	1
19	63888	(019700-) Arm Assembly, Squeegee	1
20	39470	(019700-) Bearing	2
21	41360	(019700-) Bearing, Ball	2
22	63884	(019700-) Washer	1
23	63911	(019700-) Channel	1
24	10632-15	(019700-) Grommet	1
25	63885	(019700-) Pin, Pivot	1
26	46236	(019700-) Clamp, Cable	2
27	16648	(019700-) Plate, Switch	1
28	63879	(019700-) Bracket, Roller	1
29	63878	(019700-) Roller	1
30	23524-1	(019700-) Ring, Retaining	1
31	63901	(019700-) Channel	1
32	18136	(019700-) Ring, Retaining	1
33	45106	(019700-) Washer	1
34	63890	(019700-) Spring, Compression	1
35	63900	(019700-) Adjuster	1
36	63212	(019700-) Spring, Centering	1
37	63213	(019700-) Bracket, Centering Spring	1
38	16662	(019700-) Eccentric Assembly	1
39	63799	(019700-) Strip	2
40	16653	(019700-) Bracket, Motor Mounting	1
41	63893	(019700-) Bearing, Nylon	1
42	39471	(019700-) Sleeve	4
43	01909	(019700-) Motor, Gear	1
44	49263	(019700-) Tie, Cable	1
45	01910	(019700-) Switch Assembly, R.H.	1
46	01911	(019700-) Switch Assembly, L.H.	1

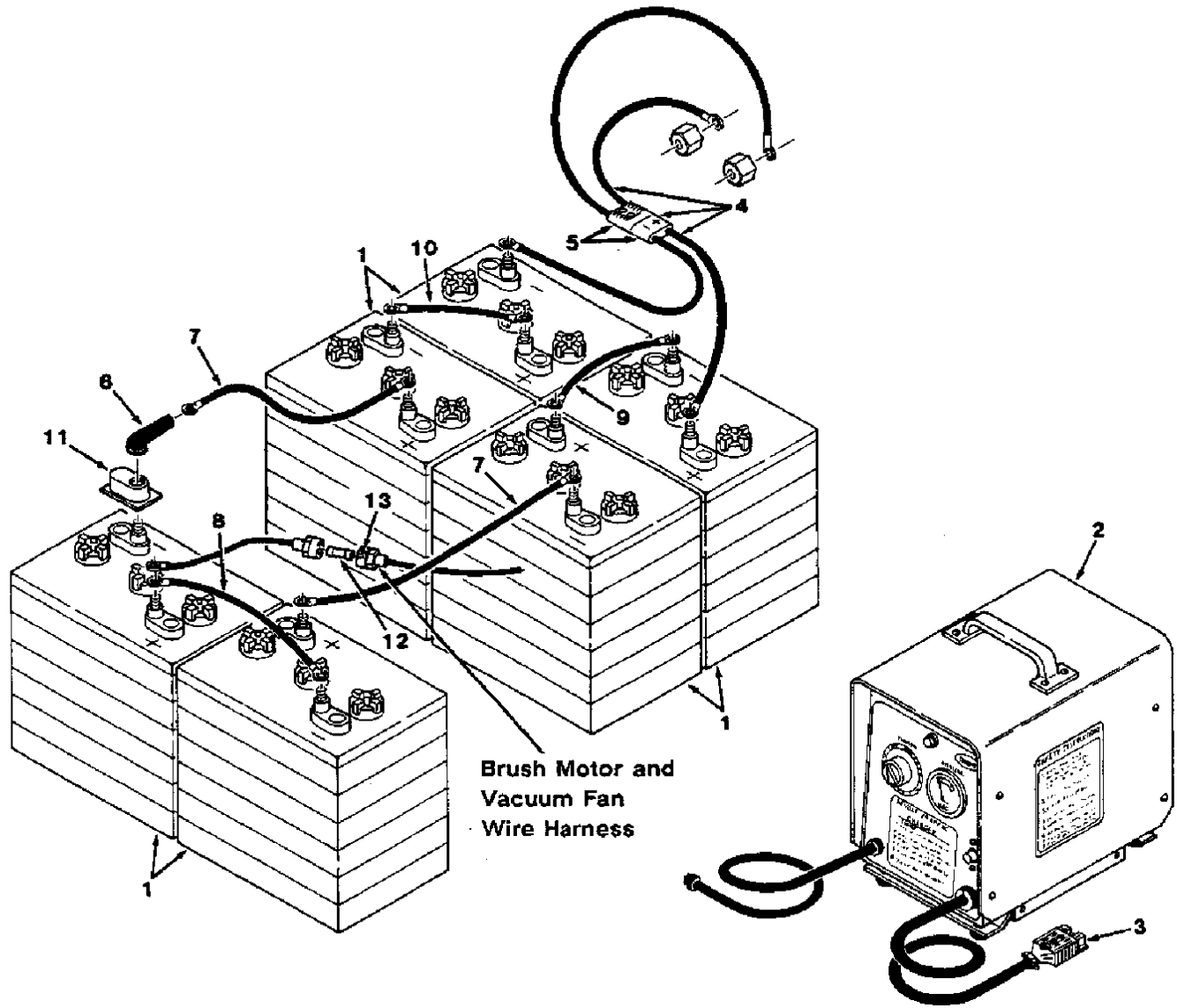


Fig. 16 - Battery Group

00867

Key	Tennant® Part No.	Machine Serial Number	Description	Qty.
1	10155	(019700-)	Battery, 220 A, 6 V, Wet	6
1	10156	(019700-)	Battery, 220 A, 6 V, Dry	6
2	63346	(019700-)	Charger, Battery, 60 Hz	1
2	63344	(019700-)	Charger, Battery, 50 Hz	1
3	24881	(019700-)	Connector	1
4	63709	(019700-)	Harness, Battery Cable	1
5	24881	(019700-)	Connector	2
6	18342	(019700-)	Protector	12
7	63734	(019700-)	Cable Assembly	2
8	63735	(019700-)	Cable Assembly	1
9	63740	(019700-)	Cable Assembly	1
10	63736	(019700-)	Cable Assembly	1
11	45962	(019700-)	Cover, Terminal	12
12	45975	(019700-)	Fuse, 30 A	1
13	63788	(019700-)	Label, 30 A	1

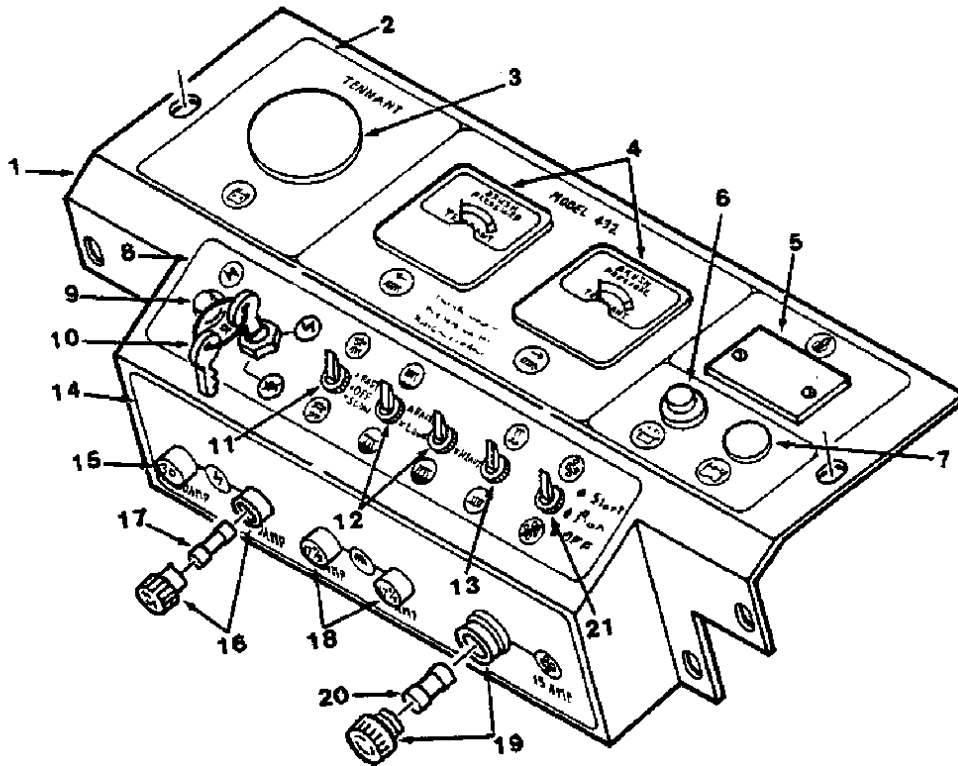


Fig. 17 - Instrument Panel Group

00860

Key	Tennant® Part No.	Machine Serial Number	Description	Qty.
1	32799	(019700-)	Panel, Instrument	1
2	39421	(019700-)	Decal, Instrument Panel	1
3	47178-12	(019700-)	Plugbutton	1
4	63779	(019700-)	Ammeter	2
5	39466	(019700-)	Plate, Cover	1
6	63357	(019700-)	Light Assembly, Red	1
7	56992	(019700-)	Plugbutton	1
8	01900	(019700-)	Label, Switches	1
9	63357-1	(019700-)	Light Assembly, Blue	1
10	31203	(019700-)	Switch Assembly, Key	1
11	31204	(019700-)	Key, Set	1
12	63285	(019700-)	Switch, Toggle	1
13	63222	(019700-)	Switch, Toggle	2
14	63882	(019700-)	Switch, Toggle	1
14	39423	(019700-)	Decal, Fuses	1
15	63030-1	(019700-)	Circuit Breaker, 30 A	1
16	45104	(019700-)	Holder, Fuse	1
17	45595	(019700-)	Fuse, 10 A	1
18	63030	(019700-)	Circuit Breaker, 17.5 A	2
19	63739	(019700-)	Holder, Fuse	1
20	63738	(019700-)	Fuse, 15 A	1
21	01895	(019700-)	Switch, Toggle	1

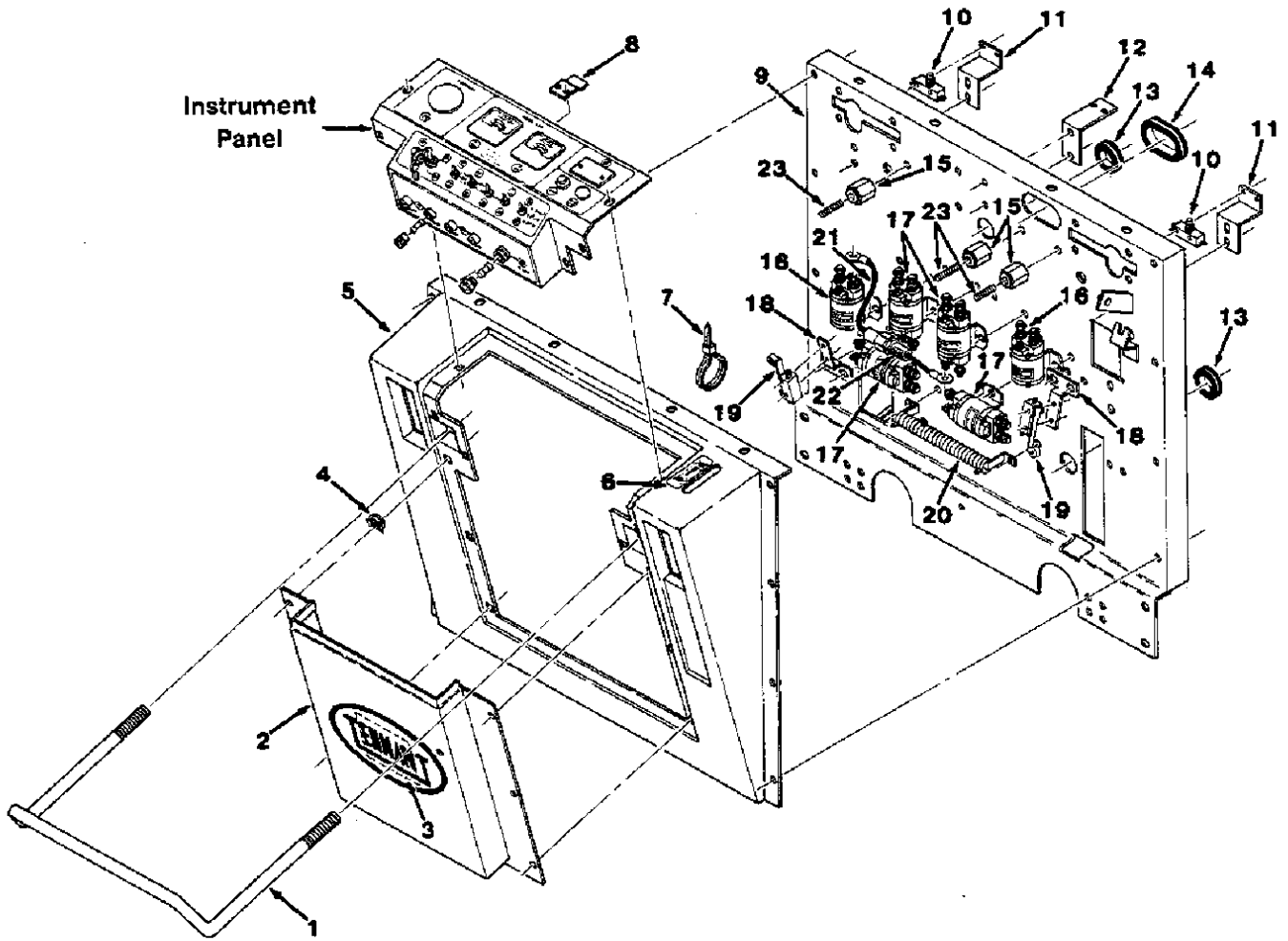




Fig. 18 - Rear Frame Group

Fig. 18 - Rear Frame Group

00861

Key	Tennant® Part No.	Machine Serial Number	Description	Qty.
1	63316	(019700-)	Handle, Stationary	1
2	27887	(019700-)	Panel, Access	1
3	39474	(019700-)	Decal, Relay Location	1
4	63466	(019700-)	Nut, Retainer	12
5	39409	(019700-)	Shroud, Rear	1
6	39424	(019700-)	Decal, Solution Control	1
7	49266	(019700-)	Tie, Cable	5
8	63781	(019700-)	Clip, Mounting	1
9	63874	(019700-)	Frame, Rear	1
10	63846	(019700-)	Switch, Pushbutton	2
11	63806	(019700-)	Bracket, Switch	2
12	63499	(019700-)	Bracket, Battery Connector	1
13	10632-14	(019700-)	Grommet	2
14	10632-19	(019700-)	Grommet	1
15	76062	(019700-)	Insulator	3
16	45405	(019700-)	Contacto	2
17	63291	(019700-)	Contacto	4
18	63887	(019700-)	Bracket, Switch	2
19	63798	(019700-)	Switch	2
20	63225	(019700-)	Resistor	1
21	63873	(019700-)	Fuse Assembly, In-Line	1
	45975	(019700-)	Fuse, 30 A	1
22	63788	(019700-)	Decal, Fuse, 30 A	1
23	41702	(019700-)	Rod, Threaded	3

Home	Find...	Go To..		
------	---------	---------	--	---

SECTION 6 ACCESSORIES

CONTENTS

	Page
Ordering Repair Parts	6-1
Fig. 1 - Extended Scrubbing Group	6-2
Fig. 2 - Vacuum Fan Kit, Heavy Duty	6-4
Fig. 3 - Soap Basket Kit	6-5
Fig. 4 - Power Pump Group	6-6
Fig. 5 - Motor Kit, Heavy Duty	6-8
Fig. 6 - Bumper Kit, Heavy Duty	6-9
Fig. 7 - Battery Kit, Heavy Duty, Wet	6-10
Fig. 8 - Battery Kit, Heavy Duty, Dry	6-11
Fig. 9 - Parking Brake Group	6-12
Fig. 10 - Hour Meter Kit	6-13
Fig. 11 - Voltmeter Kit	6-13
Fig. 12 - Fast Drain Kit	6-14
Fig. 13 - Foam Tire and Rim Kit	6-14
Fig. 14 - Vacuum Wand Kit	6-15
Fig. 15 - Pre-Sweep Group	6-16

NOTE: Section 6, Accessories, lists every repair part of the available accessories.

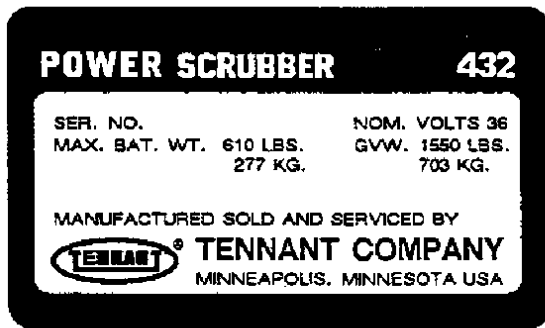
ORDERING REPAIR PARTS

The components used in this machine have been carefully selected for performance and safety. Use only Tennant Company specified or equivalent parts.

To receive prompt service in filling of your parts orders, please direct all orders for parts with Tennant Company part numbers to the Tennant Company, and all orders for parts with vendor part numbers to the local supplier of the respective vendor.

When ordering parts, please furnish all of the following information:

1. Machine model number - shown on the machine data plate.



2. Machine serial number - shown on the machine data plate.
3. Engine type - gasoline, LPG, diesel, electric.
4. Company name.
5. Shipping address.
6. Billing address.
7. Name, first and last - of person ordering parts.
8. Telephone number.
9. Purchase order number.
10. Part number, description, and quantity - of each item on the order.

Do not order parts by key number or the figure number of the illustrated parts. Indented items indicate parts of assemblies. Standard hardware is furnished only when part of a purchased assembly. Please get hardware from a local hardware supplier.

If the old part cannot be identified, send it to us with the quantity needed specified on the order.

Any claim for loss or damage to a shipment in transit should be filed promptly against the transportation company making the delivery. Shipments will be complete unless the packing list or order acknowledgement indicate items back ordered.

If parts received are suspected to be incorrect or defective, please write, wire, or phone the Tennant Company representative from whom you ordered the part. They will give authorization for return and/or handle replacement shipments when required.

SERIAL NUMBER INFORMATION EXPLANATION

Serial number listings are shown to indicate on which machines each part can be used. These listings are explained by the following examples:

(000000-) The part can be used on all machines.

(003342-) The part can be used on all machines beginning with the serial number listed.

(000000-004320) The part can be used on all machines up to and including serial number listed.

(004321-005678) The part can be used on all machines between and including the serial numbers listed.

Where xxxxx's are listed in place of a serial number, it indicates a change was made but the exact serial number had not been established when the catalog went to press.

SI UNITS OF MEASURE
(INTERNATIONAL SYSTEM)

Metric equivalents have been included, where applicable, throughout this parts catalog.

FASTENER STRENGTH IDENTIFICATION

Fasteners required to have high-strength qualities equivalent to SAE Grade 8 are identified throughout this catalog by the description GR 8. Unless identified by this description, all standard fasteners are SAE Grade 5.

(Specifications and design subject to change without notice.)

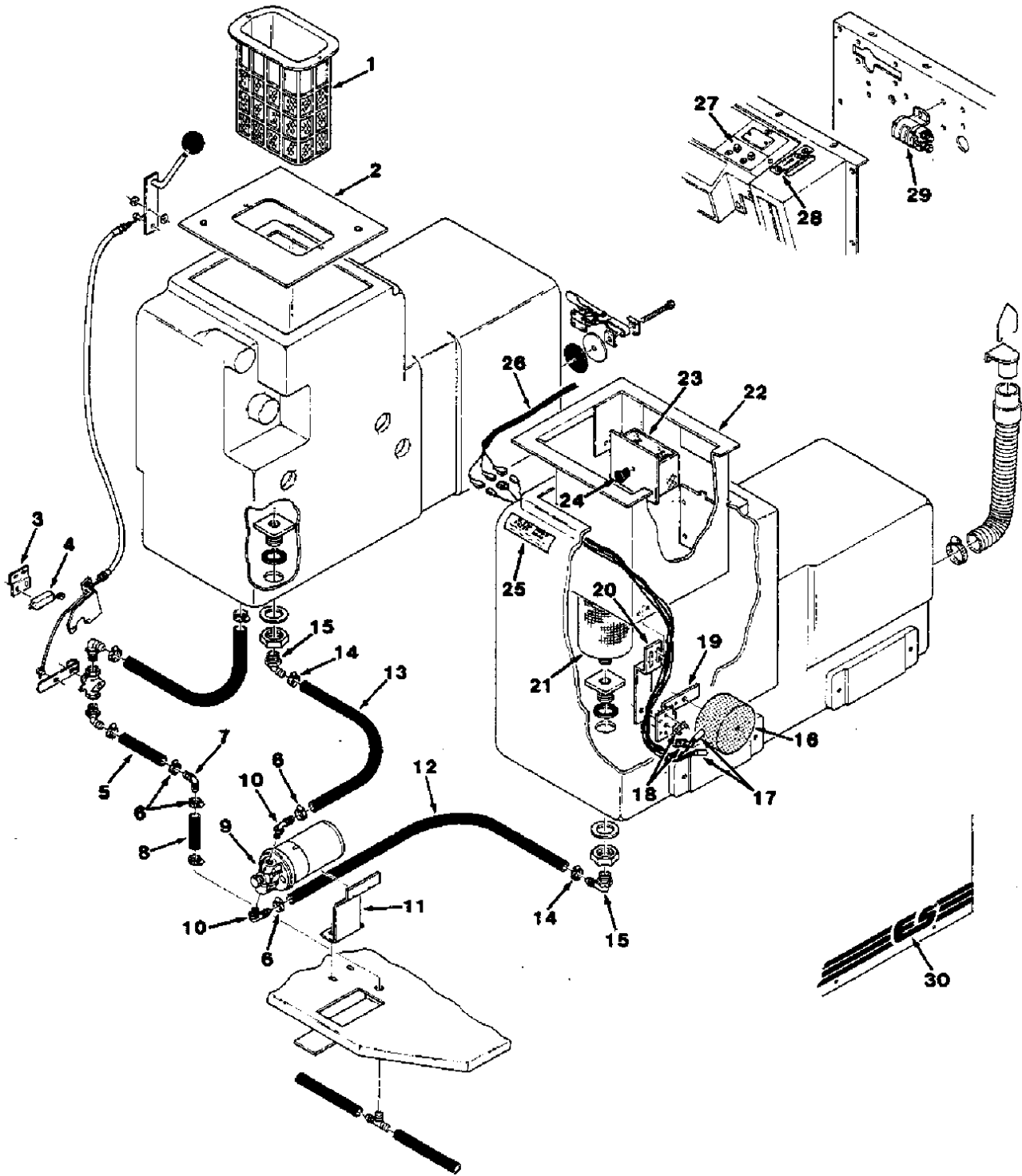


Fig. 1 - Extended Scrubbing Group

NOTE: To identify parts shown but not listed here, see Section 5, Standard Model Parts.

Fig. 1 - Extended Scrubbing Group

02627

Key	Tennant® Part No.	Machine Serial Number	Description	Qty.
1	43516A	(019700-)	Basket, Soap	1
2	63445A-1	(019700-)	Cover, Top	1
3	63728	(019700-)	Bracket, Mount	1
4	63964	(019700-023928)	Switch, Actuator	1
4	04207	(023929-)	Switch, Actuator	1
5	63989	(019700-)	Hose, PVC	1
6	54333	(019700-)	Clamp, Worm Drive	4
7	63987-1	(019700-)	Fitting, Straight, Barbed	1
8	63990	(019700-)	Hose, PVC	1
9	79326-1	(019700-)	Pump, Water	1
10	64778	(019700-)	Fitting, Elbow, Barbed	2
11	03438	(019700-)	Bracket, Pump Mounting	1
12	63988	(019700-)	Hose, PVC	1
13	45487-6	(019700-)	Hose, Vinyl	1
14	63810	(019700-)	Clamp, Worm Drive	2
15	63244-3	(019700-)	Fitting, Elbow, Barbed	2
16	45937	(019700-)	Float	1
17	01901	(019700-)	Switch, Mercury	1
18	40131	(019700-)	Clip, Mercury Switch	2
19	63985	(019700-)	Lever, Float	1
20	63984	(019700-)	Bracket, Mounting	1
21	79424	(019700-)	Screen, Solution	1
22	01858	(019700-)	Baffle, ES	1
23	31214	(019700-)	Basket, Debris	1
24	28574	(019700-)	Knob	1
25	45190	(019700-)	Decal, Filter Cleaning	1
26	01902	(019700-)	Wire Harness, ES	1
27	63357-1	(019700-)	Light Assembly, Blue	1
28	39428	(019700-)	Decal, Solution Control	1
29	45405	(019700-)	Contacto	1
30	63847	(019700-)	Decal, ES Logo	2

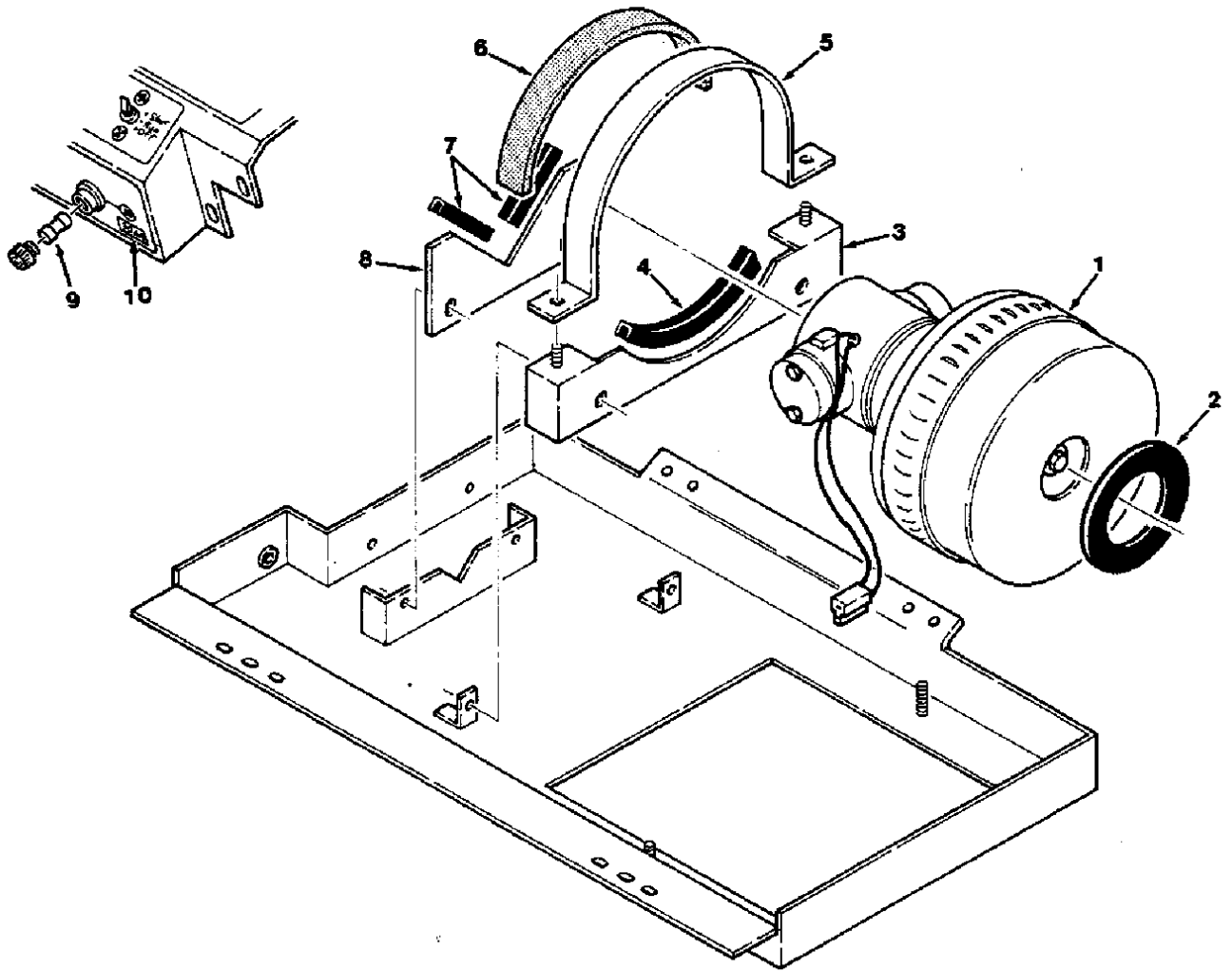


Fig. 2 - Vacuum Fan Kit, Heavy Duty

02628

Key	Tennant® Part No.	Machine Serial Number	Description	Qty.
	01907	(019700-)	Vacuum Fan Kit, Heavy Duty	1
1	45076	(019700-)	Motor, Vacuum Fan	1
2	01914	(019700-)	Seal, Vacuum Fan	1
3	31216	(019700-)	Mount	1
4	31219	(019700-)	Seal	1
5	31217	(019700-)	Band, Mounting	1
6	31218	(019700-)	Seal, Foam Rubber	1
7	31224	(019700-)	Seal	2
8	18637	(019700-)	Mount, Rear	1
9	45975	(019700-)	Fuse, 30 A	1
10	63737	(019700-)	Decal, Fuse, 30 A	1

NOTE: To identify parts shown but not listed here, see Section 5, Standard Model Parts.

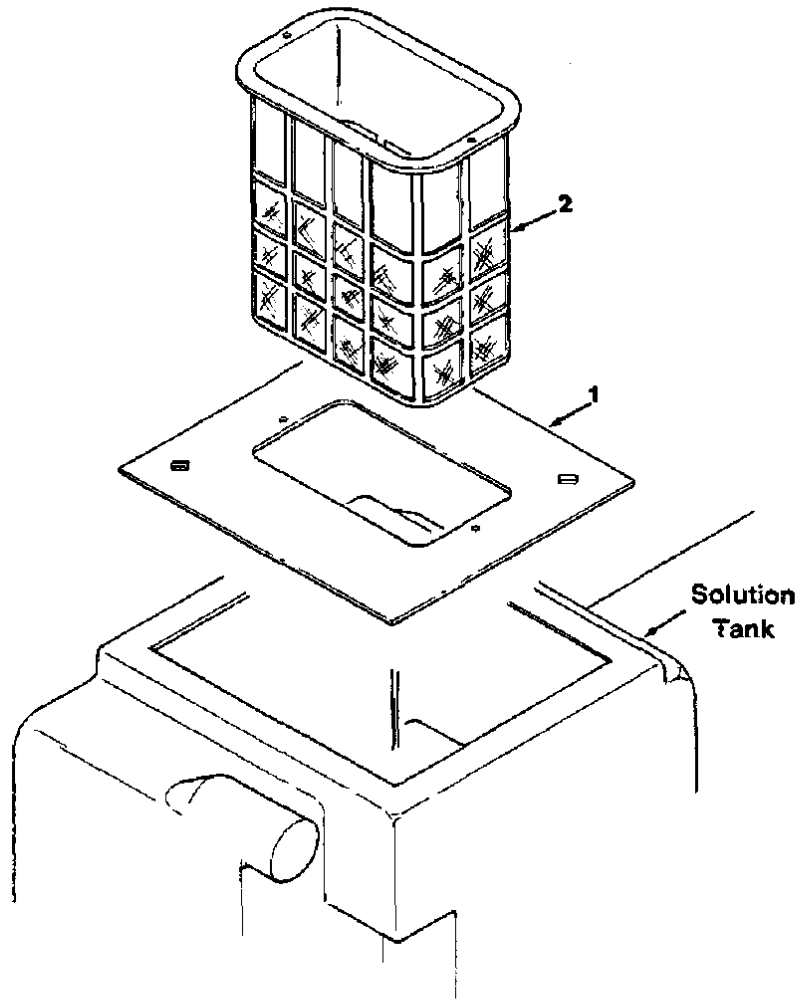


Fig. 3 - Soap Basket Kit

00164

Key	Tennant® Part No.	Machine Serial Number	Description	Qty.
	45909	(019700-)	Basket Kit, Soap	1
1	63445A-1	(019700-)	Cover, Top	1
2	43516A	(019700-)	Basket, Soap	1

NOTE: To identify parts shown but not listed here, see Section 5, Standard Model Parts.

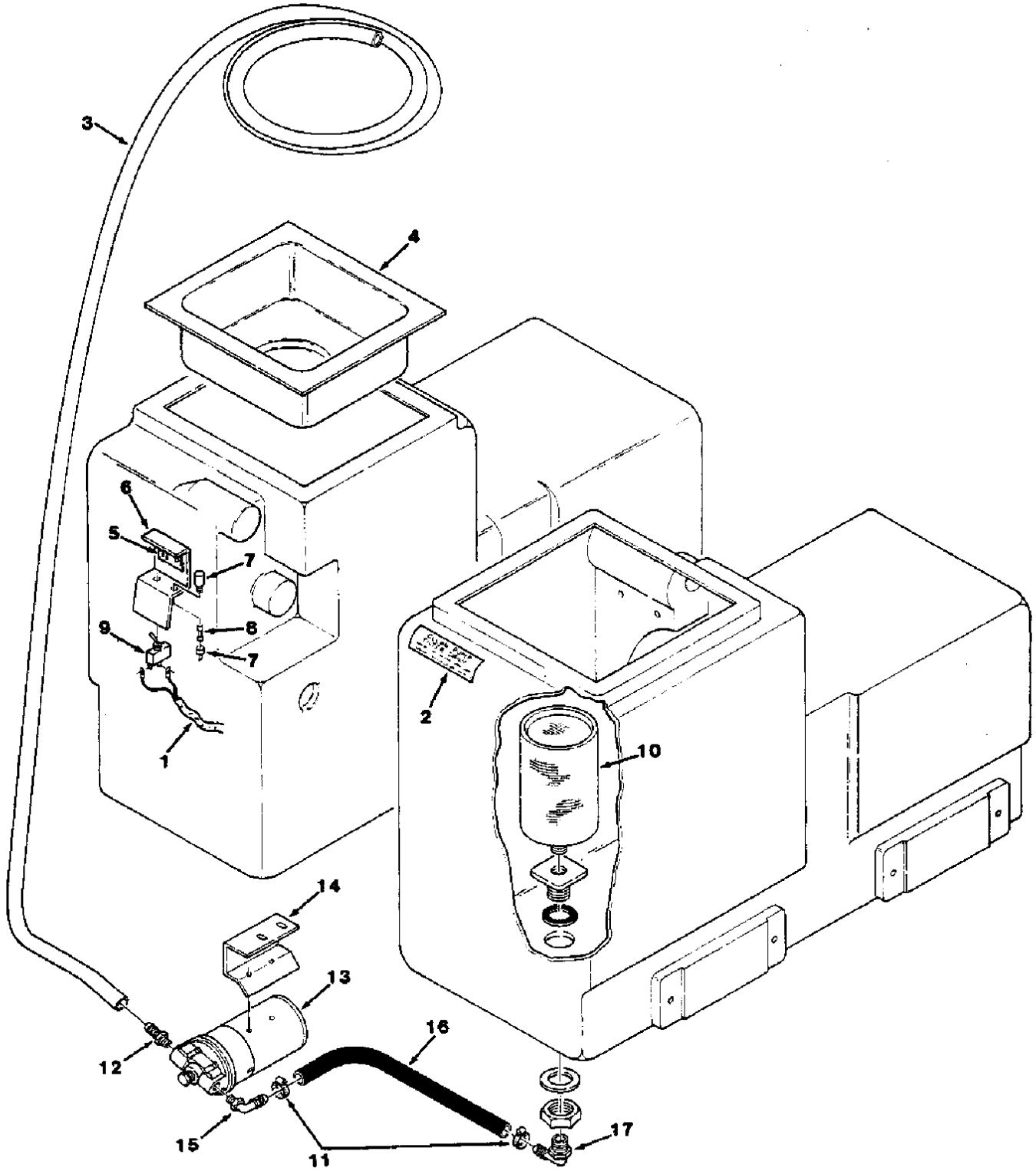


Fig. 4 - Power Pump Group

NOTE: To identify parts shown but not listed here, see Section 5, Standard Model Parts.

Fig. 4 - Power Pump Group

00858

Key	Tennant® Part No.	Machine Serial Number	Description	Qty.
1	39463	(019700-)	Wire Harness, Power Pump	1
2	45190	(019700-)	Decal, Filter Cleaning	1
3	45487-5	(019700-)	Hose, Vinyl	1
4	01950	(019700-)	Tray, Hose	1
5	45183	(019700-)	Decal, Power Discharge	1
6	01954	(019700-)	Bracket, Switch Mounting	1
7	45104	(019700-)	Holder, Fuse	1
8	45595	(019700-)	Fuse, 10 A	1
9	63266	(019700-)	Switch	1
10	79424	(019700-)	Screen, Filter	1
11	54333	(019700-)	Clamp, Worm Drive	2
12	64743	(019700-)	Fitting, Straight, Barbed	1
13	79326-1	(019700-)	Pump, Water	1
14	63981	(019700-)	Bracket, Pump Mounting	1
15	64778	(019700-)	Fitting, Elbow, Barbed	1
16	63988	(019700-)	Hose, PVC	1
17	63244-3	(019700-)	Fitting, Elbow, Barbed	1

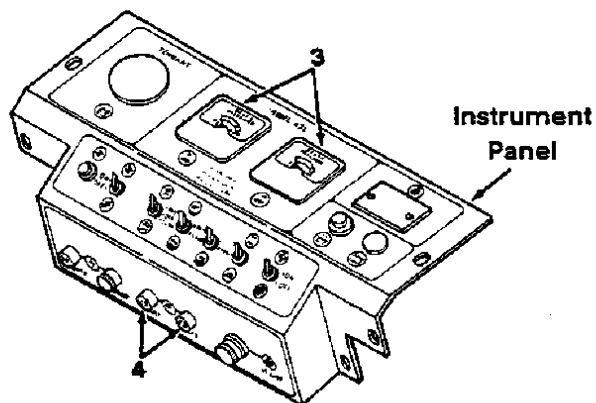
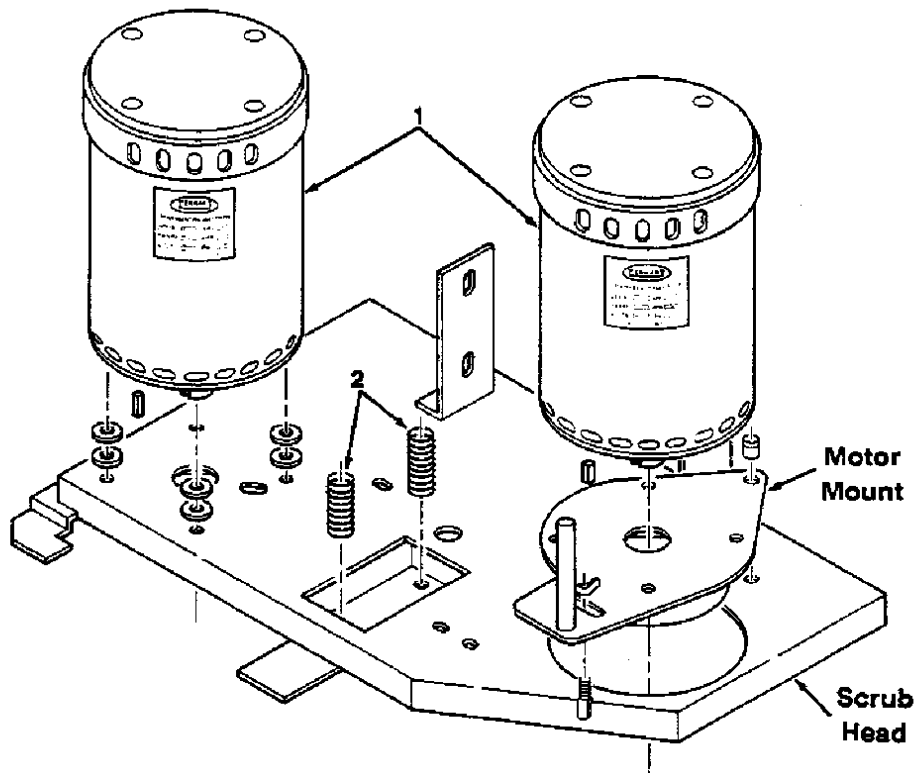


Fig. 5 - Motor Kit, Heavy Duty

Key	Tennant® Part No.	Machine Serial Number	Description	Qty.
	39418	(019700-)	Motor Kit, Heavy Duty	1
1	45912	(019700-)	Motor, Electric	2
2	63185	(019700-)	Spring, Compression	2
3	63780	(019700-)	Ammeter	2
4	63030-2	(019700-)	Circuit Breaker, 25 A	2

00865

NOTE: To identify parts shown but not listed here, see Section 5, Standard Model Parts.

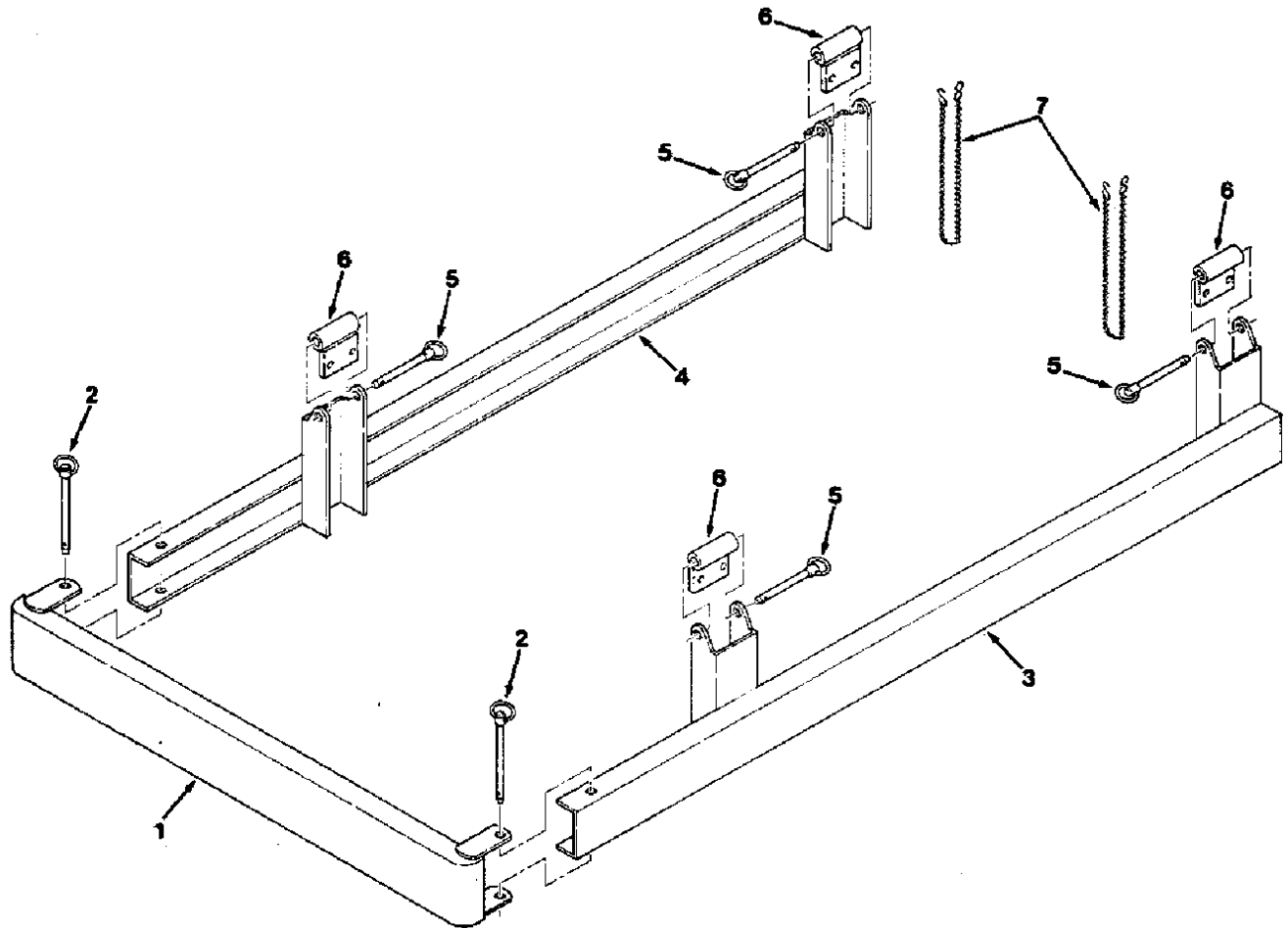


Fig. 6 - Bumper Kit, Heavy Duty

00857

Key	Tennant® Part No.	Machine Serial Number	Description	Qty.
	63960	(019700-)	Bumper Kit, Heavy Duty	1
1	63133	(019700-)	Channel, Front	1
2	63174	(019700-)	Pin, Pivot	2
3	63115	(019700-)	Channel, L.H.	1
4	63114	(019700-)	Channel, R.H.	1
5	63789	(019700-)	Pin	4
6	63748	(019700-)	Bracket, Mounting	4
7	45955	(019700-)	Chain, Safety	2

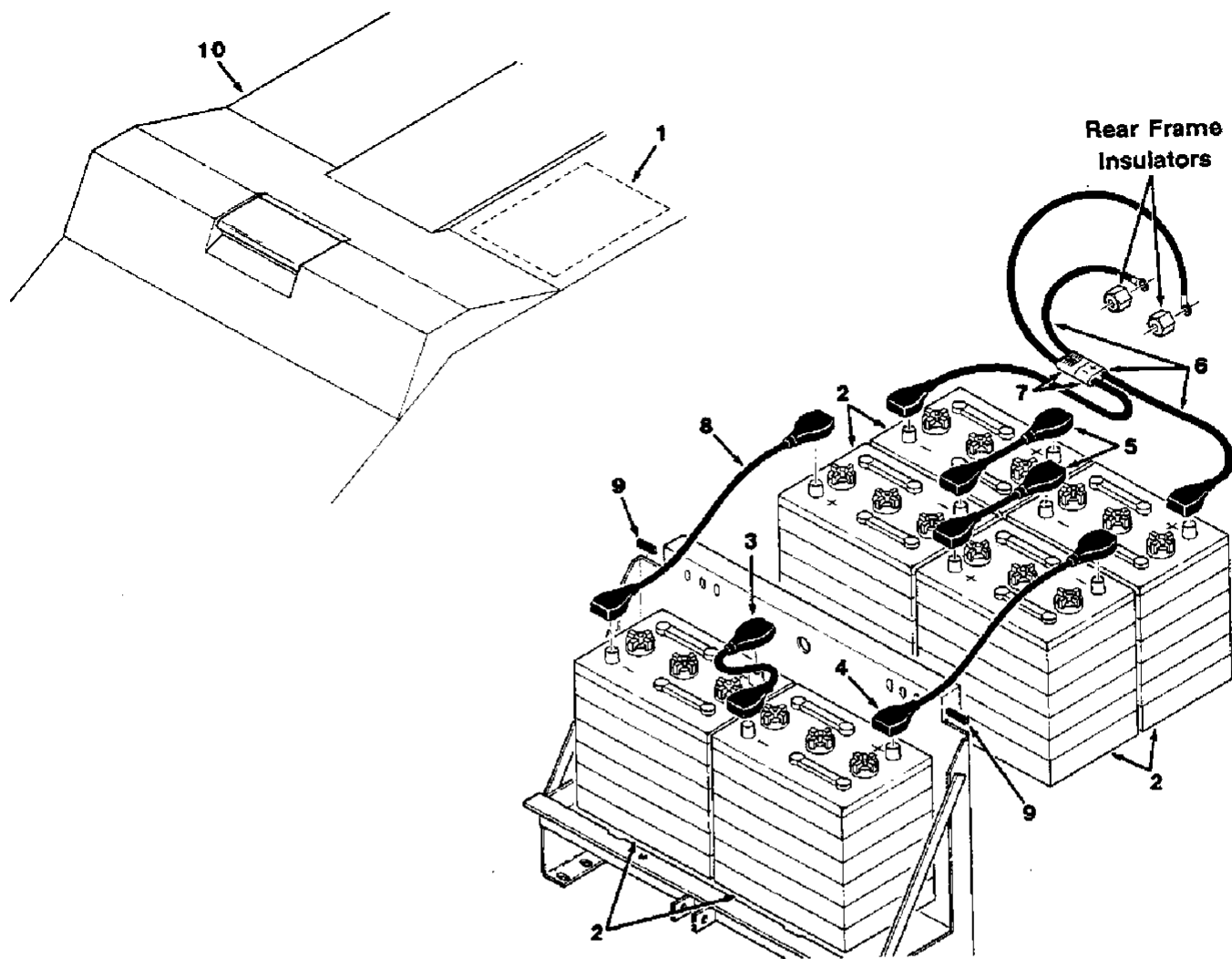


Fig. 7 - Battery Kit, Heavy Duty, Wet

00868

Key	Tennant® Part No.	Machine Serial Number	Description	Qty.
	63759	(019700-)	Battery Kit, Heavy Duty, Wet	1
1	63746	(019700-)	Decal, Charging Instruction, Heavy Duty	1
2	10138	(019700-)	Battery, 6 V, 305 A, Wet	6
3	63756	(019700-)	Cable Assembly, Battery	1
4	63914	(019700-)	Cable Assembly, Battery	1
5	63755	(019700-)	Cable Assembly, Battery	2
6	63758	(019700-)	Harness, Battery	1
7	24881	(019700-)	Connector	2
8	63914	(019700-)	Cable Assembly, Battery	1
9	03433	(019700-)	Molding, Rigid	2
10	03435	(019700-)	Replacement Kit, Hood, Heavy Duty Batteries	1

NOTE: To identify parts shown but not listed here, see Section 5, Standard Model Parts.

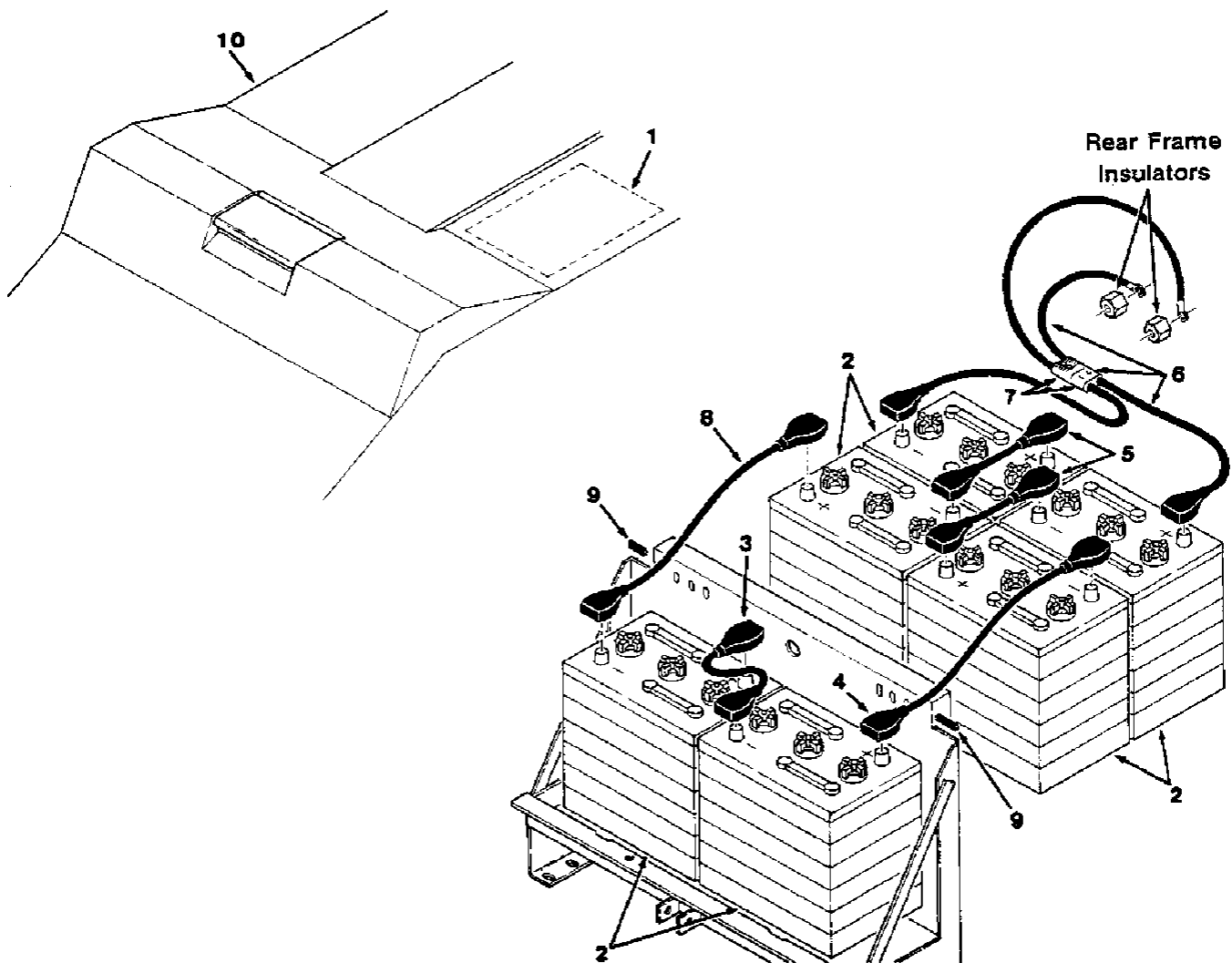


Fig. 8 - Battery Kit, Heavy Duty, Dry

00945

Key	Tennant® Part No.	Machine Serial Number	Description	Qty.
	63767	(019700-)	Battery Kit, Heavy Duty, Dry	1
1	63746	(019700-)	Decal, Charging Instruction, Heavy Duty	1
2	10140	(019700-)	Battery, 6 V, 305 A, Dry	6
3	63756	(019700-)	Cable Assembly, Battery	1
4	63914	(019700-)	Cable Assembly, Battery	1
5	63755	(019700-)	Cable Assembly, Battery	2
6	63758	(019700-)	Harness, Battery	1
7	24881	(019700-)	Connector	2
8	63914	(019700-)	Cable Assembly, Battery	1
9	03433	(019700-)	Molding, Rigid	2
10	03435	(019700-)	Replacement Kit, Hood, Heavy Duty Batteries	1

NOTE: To identify parts shown but not listed here, see Section 5, Standard Model Parts.

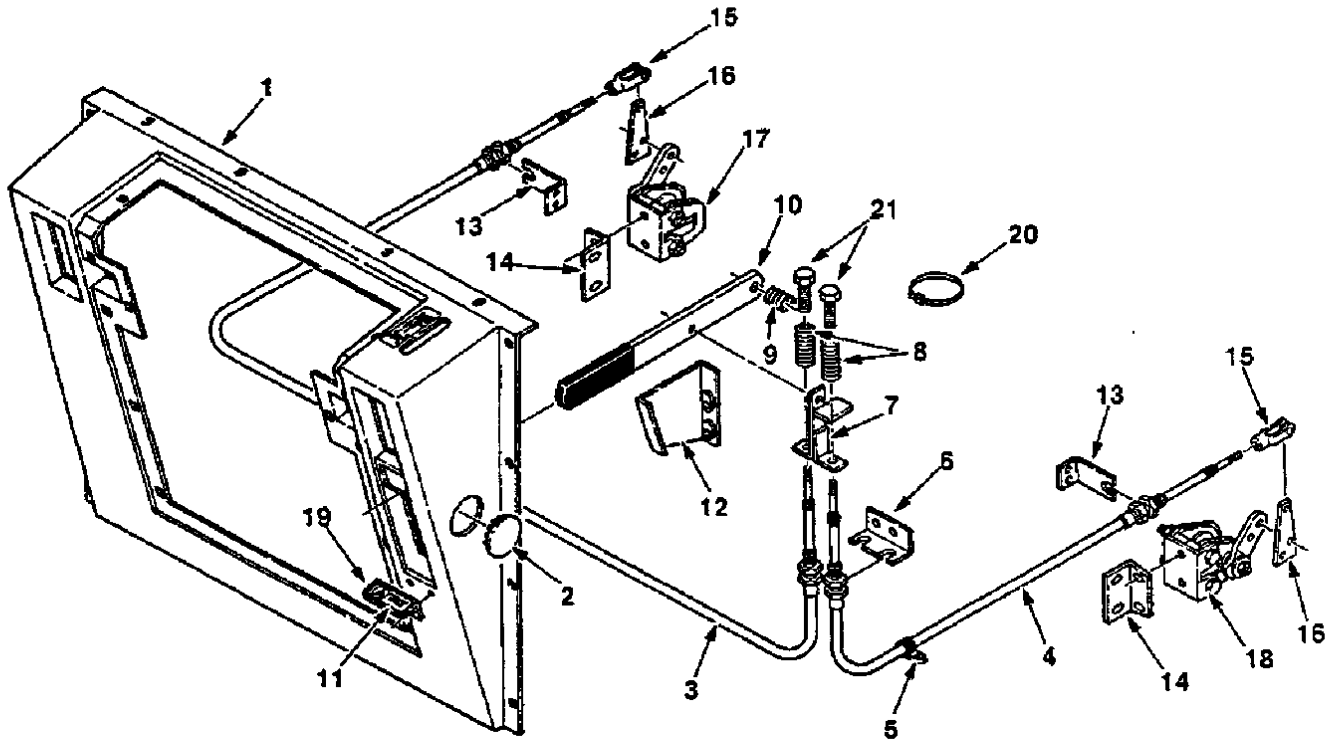


Fig. 9 - Parking Brake Group

00856

Key	Tennant® Part No.	Machine Serial Number	Description	Qty.
1	63845	(019700-)	Shroud, Rear	1
2	47178-12	(019700-)	Plugbutton	1
3	27879	(019700-)	Cable, Brake, L.H.	1
4	27878	(019700-)	Cable, Brake, R.H.	1
5	26395-1	(019700-)	Clamp, Cable	1
6	27892	(019700-)	Mount, Cable	1
7	08032	(019700-)	Angle, Brake	1
8	39457	(019700-)	Spring, Compression	2
9	03560	(019700-)	Spring, Compression	1
10	27876	(019700-)	Handle	1
11	63785	(019700-)	Decal, Parking Brake	1
12	27891	(019700-)	Support, Lever	1
13	63948	(019700-)	Mount, Cable	2
14	27874	(019700-)	Mount, Brake	2
15	27880	(019700-)	Yoke	2
16	27875	(019700-)	Adaptor, Brake Cam	2
17	63770	(019700-)	Brake, Disc, L.H.	1
18	63771	(019700-)	Brake, Disc, R.H.	1
19	63792	(019700-)	Bracket, Decal, Mount	1
20	49266	(019700-)	Tie, Cable	2
21	63803	(019700-)	Screw, Adjustment	2

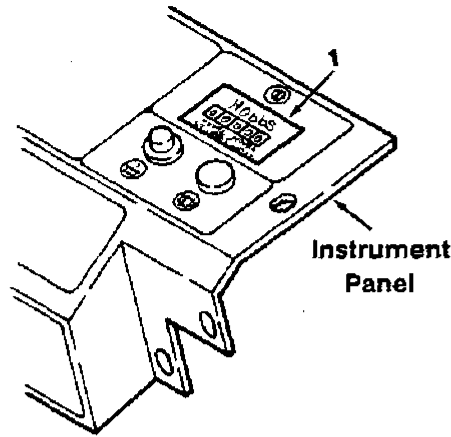


Fig. 10 - Hour Meter Kit

00863

Key	Tennant® Part No.	Machine Serial Number	Description	Qty.
1	39494 67297	(019700-) (019700-)	Hour Meter Kit Meter, Hour	1 1

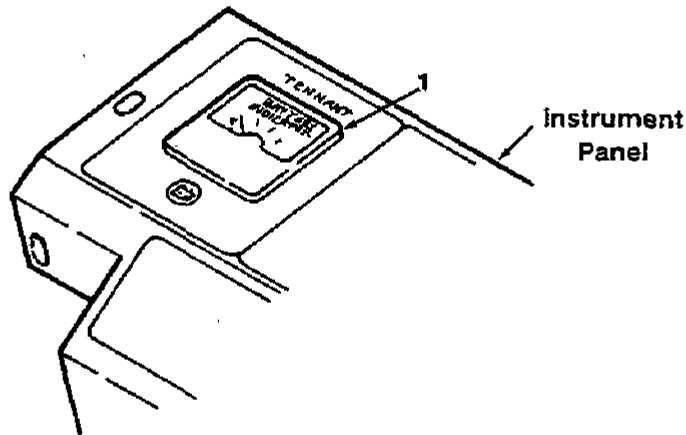


Fig. 11 - Voltmeter Kit

00862

Key	Tennant® Part No.	Machine Serial Number	Description	Qty.
1	39497 63255	(019700-) (019700-)	Voltmeter Kit Voltmeter	1 1

NOTE: To identify parts shown but not listed here, see Section 5, Standard Model Parts.

ACCESSORIES

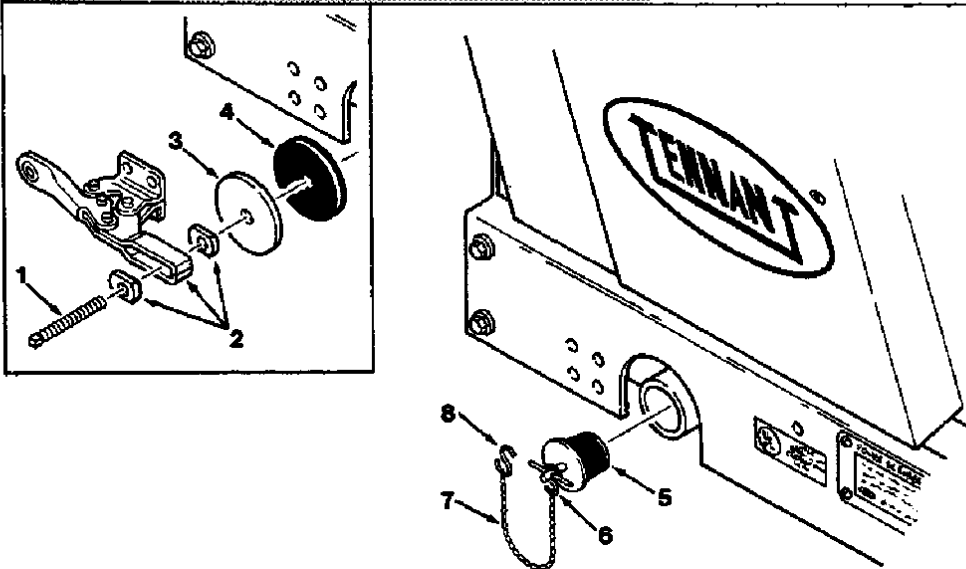


Fig. 12 - Fast Drain Kit

00864

Key	Tennant® Part No.	Machine Serial Number	Description	Qty.
	63323	(019700-023496)	Fast Drain Kit, Replaced By 08029	1
1	41164	(019700-023496)	Screw, Hex, Full Thread	1
2	63353	(019700-023496)	Clamp, Replaced By 08029	1
3	63288	(019700-023496)	Washer	1
4	63289	(019700-023496)	Seal, Drain	1
5	08029	(023497-)	Fast Drain Kit	1
6	56504	(023497-)	Plug, Expandable	1
7	01321	(023497-)	Hook, S	1
8	08026	(023497-)	Chain, Sash	1
	43363	(023497-)	Hook, S	1

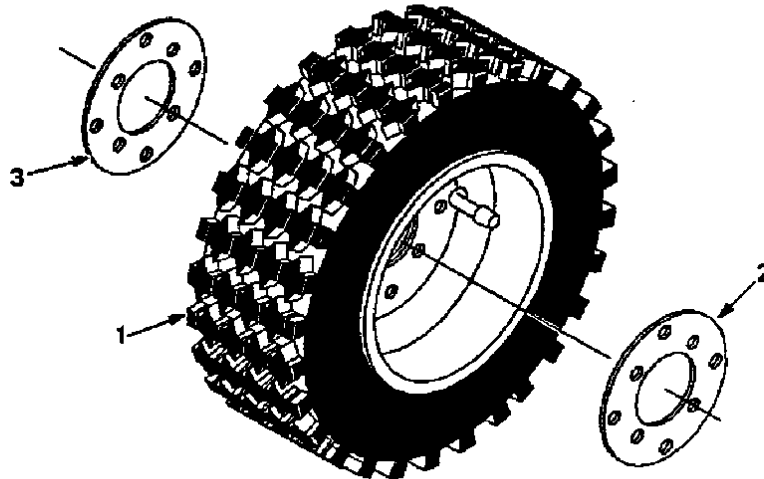


Fig. 13 - Foam Tire And Rim Kit

03972

Key	Tennant® Part No.	Machine Serial Number	Description	Qty.
	03853	(019700-)	Foam Tire And Rim Kit	1
1	03852	(019700-)	Tire And Rim Assembly, Foam	2
2	03848	(019700-)	Plate, Outer	1
3	03849	(019700-)	Plate, Inner	1

NOTE: To identify parts shown but not listed here, see Section 5, Standard Model Parts.

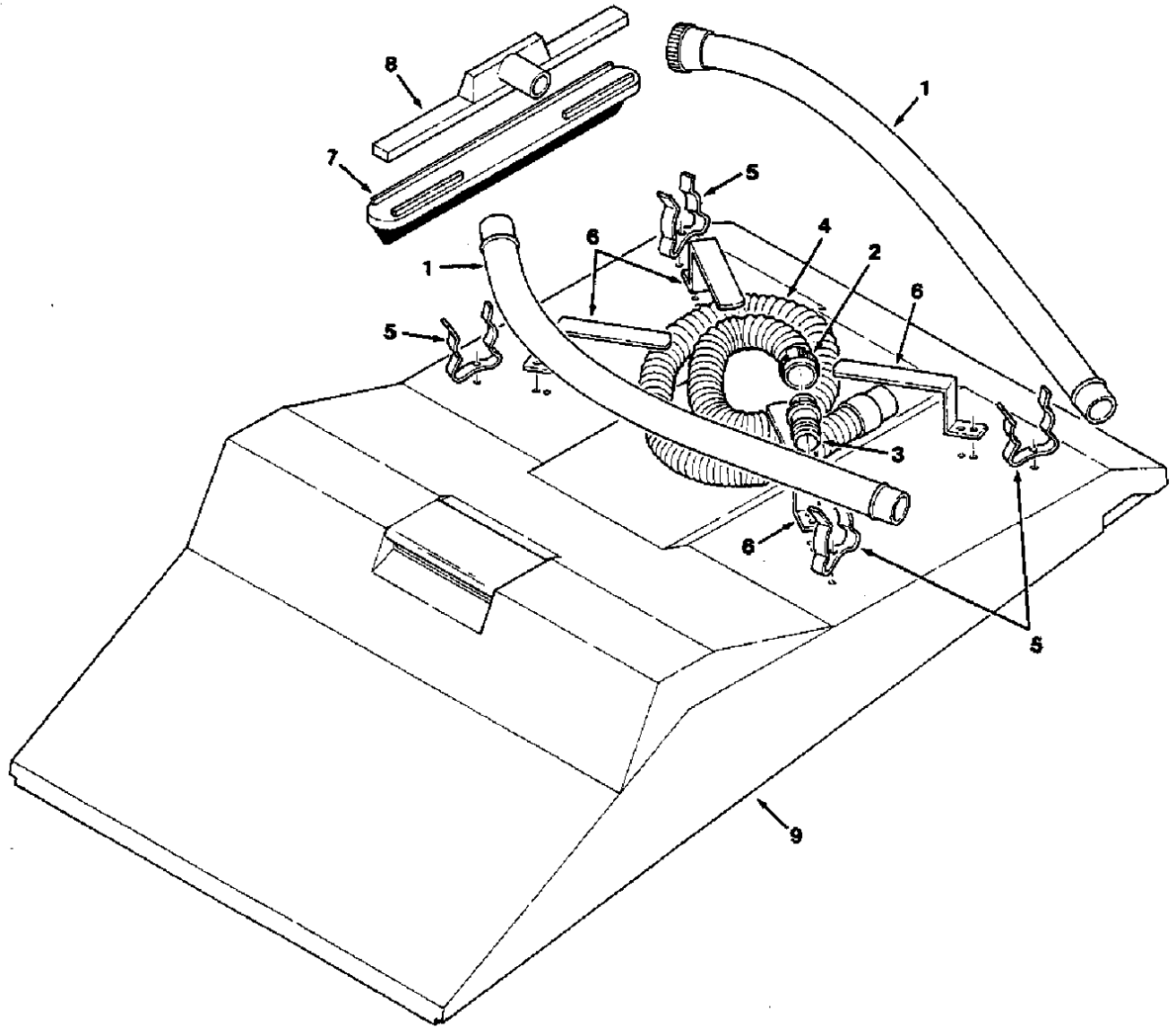


Fig. 14 - Vacuum Wand Kit

02629

Key	Tennant® Part No.	Machine Serial Number	Description	Qty.
	01916	(019700-)	Vacuum Wand Kit	1
1	63448	(019700-)	Wand (2 piece)	1
2	11531	(019700-)	Clamp, Worm Drive	1
3	03860	(019700-)	Fitting, Reducer	1
4	63250	(019700-)	Hose And Cuff Assembly	1
5	22473	(019700-)	Clip, Finger Grip	4
6	63348	(019700-)	Clip, Hold-Down	4
7	63430	(019700-)	Shoe, Squeegee	1
8	63451	(019700-)	Nozzle, Wand	1
9	03434	(019700-)	Replacement Kit, Hood, Standard Batteries with Vacuum Wand	1
9	03436	(019700-)	Replacement Kit, Hood, Heavy Duty Batteries with Vacuum Wand	1

NOTE: To identify parts shown but not listed here, see Section 5, Standard Model Parts.

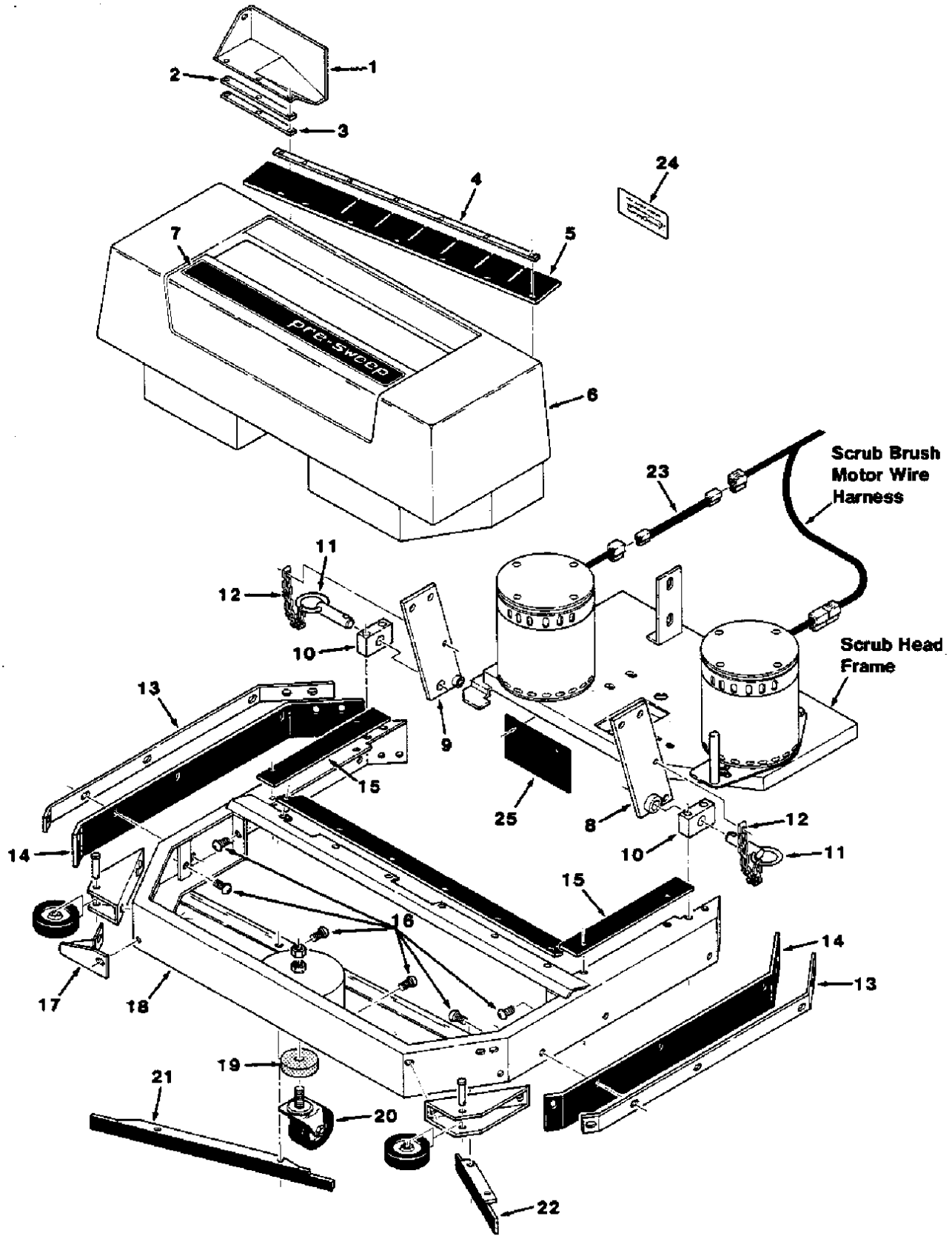


Fig. 15 - Pre-Sweep Group

Fig. 15 - Pre-Sweep Group

01335

Key	Tennant® Part No.	Machine Serial Number	Description	Qty.
1	75950	(019700-)	Chute, Debris Pan	1
2	75980	(019700-)	Shim, 0.06" (2 mm)	1
3	75981	(019700-)	Shim, 0.04" (1 mm)	1
4	75978	(019700-)	Strip, Retainer	1
5	75979	(019700-)	Skirt, Slit	1
6	75973	(019700-)	Pan, Debris	1
7	75954	(019700-)	Decal, Pre-Sweep	1
8	75985	(019700-)	Bracket, Pre-Sweep, L.H.	1
9	75997	(019700-)	Bracket, Pre-Sweep, R.H.	1
10	75976	(019700-)	Block, Pivot	2
11	75937	(019700-)	Pin, Quick Release	2
12	28499-2	(019700-)	Chain	2
13	75971	(019700-)	Strip, Retainer	2
14	75972	(019700-)	Skirt	2
15	75968	(019700-)	Strip, Filler	2
16	41157	(019700-)	Screw, Button	6
17	75960	(019700-)	Guard, Squeegee	1
18	75999	(019700-)	Frame, Pre-Sweep	1
19	75968	(019700-)	Seal, Bearing	1
20	75977	(019700-)	Caster, Swivel	1
21	75956	(019700-)	Flap, Windrow	1
22	75955	(019700-)	Flap, Windrow	1
23	75970	(019700-)	Wire Harness, Brush Motor, R.H.	1
24	75938	(019700-)	Decal, Pre-Sweep Wiring	1
25	75959	(019700-)	Skirt	1

Home	Find...	Go To..		
------	---------	---------	---	---

SECTION 7 ELECTRICAL COMPONENTS

CONTENTS

	Page
Ordering Repair Parts	7-1
Fig. 1 - Vacuum Fan Motor Breakdown	7-2
Fig. 2 - Vacuum Fan Motor Breakdown, Heavy Duty	7-4
Fig. 3 - Scrub Brush Motor Breakdown	7-6
Fig. 4 - Scrub Brush Motor Breakdown, Heavy Duty	7-7
Fig. 5 - Drive Motor Breakdown	7-8
Fig. 6 - Water Pump Breakdown	7-9

NOTE: Section 7, Electrical Components, lists the repair parts for each of the repairable electrical components.

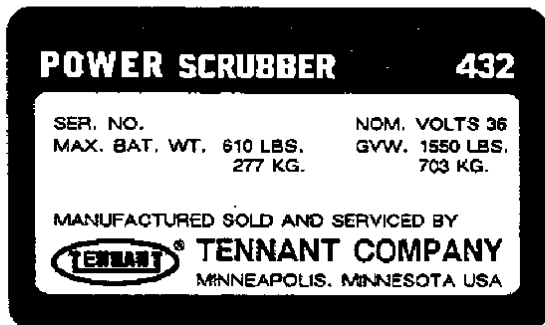
ORDERING REPAIR PARTS

The components used in this machine have been carefully selected for performance and safety. Use only Tennant Company specified or equivalent parts.

To receive prompt service in filling of your parts orders, please direct all orders for parts with Tennant Company part numbers to the Tennant Company, and all orders for parts with vendor part numbers to the local supplier of the respective vendor.

When ordering parts, please furnish all of the following information:

1. Machine model number - shown on the machine data plate.



2. Machine serial number - shown on the machine data plate.
3. Engine type - gasoline, LPG, diesel, electric.
4. Company name.
5. Shipping address.
6. Billing address.
7. Name, first and last - of person ordering parts.
8. Telephone number.
9. Purchase order number.
10. Part number, description, and quantity - of each item on the order.

Do not order parts by key number or the figure number of the illustrated parts. Indented items indicate parts of assemblies. Standard hardware is furnished only when part of a purchased assembly. Please get hardware from a local hardware supplier.

If the old part cannot be identified, send it to us with the quantity needed specified on the order.

Any claim for loss or damage to a shipment in transit should be filed promptly against the transportation company making the delivery. Shipments will be complete unless the packing list or order acknowledgement indicate items back ordered.

If parts received are suspected to be incorrect or defective, please write, wire, or phone the Tennant Company representative from whom you ordered the part. They will give authorization for return and/or handle replacement shipments when required.

SERIAL NUMBER INFORMATION EXPLANATION

Serial number listings are shown to indicate on which machines each part can be used. These listings are explained by the following examples:

(000000-) The part can be used on all machines.

(003342-) The part can be used on all machines beginning with the serial number listed.

(000000-004320) The part can be used on all machines up to and including serial number listed.

(004321-005678) The part can be used on all machines between and including the serial numbers listed.

Where xxxxx's are listed in place of a serial number, it indicates a change was made but the exact serial number had not been established when the catalog went to press.

SI UNITS OF MEASURE
(INTERNATIONAL SYSTEM)

Metric equivalents have been included, where applicable, throughout this parts catalog.

FASTENER STRENGTH IDENTIFICATION

Fasteners required to have high-strength qualities equivalent to SAE Grade 8 are identified throughout this catalog by the description GR 8. Unless identified by this description, all standard fasteners are SAE Grade 5.

(Specifications and design subject to change without notice.)

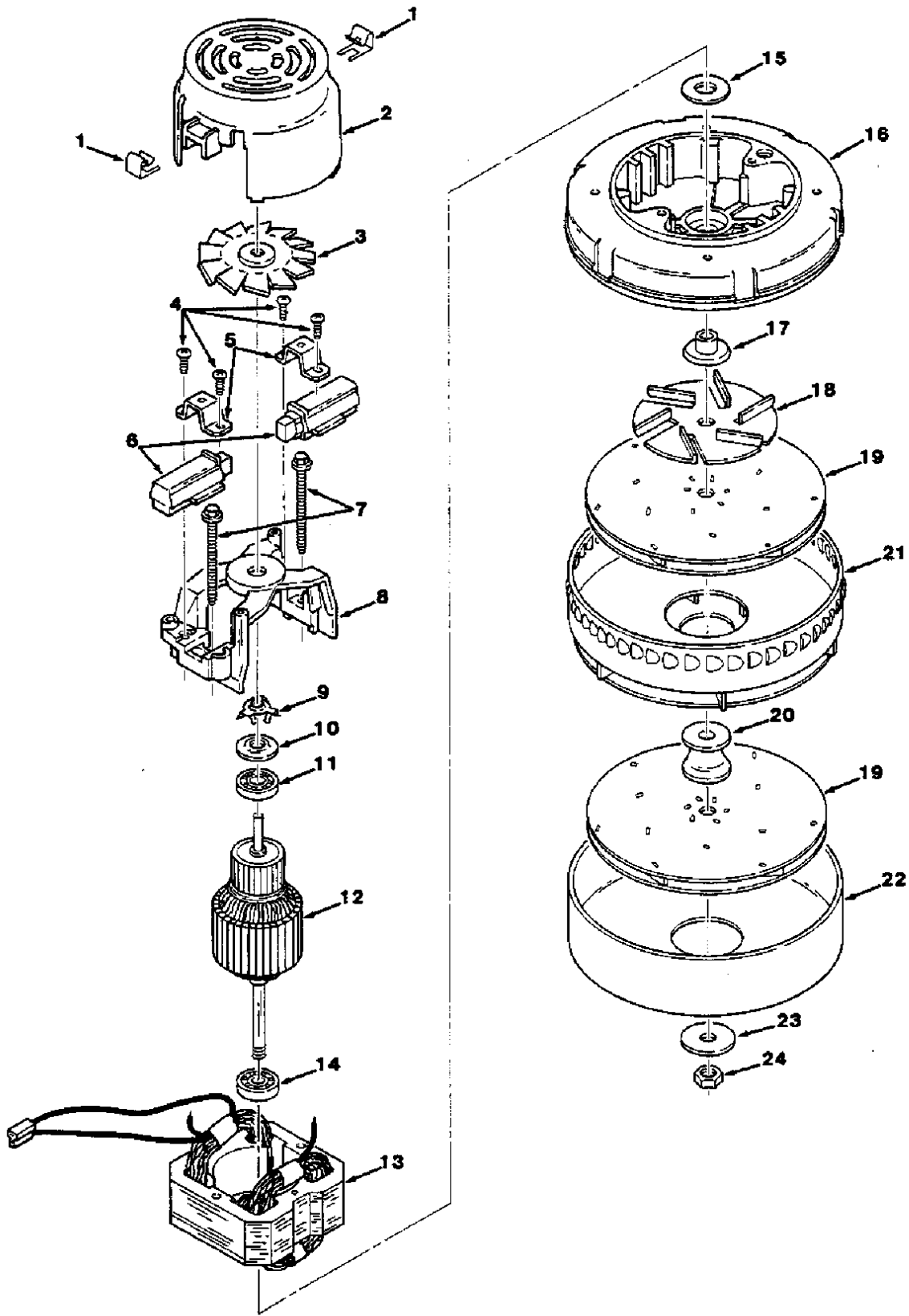


Fig. 1 - Vacuum Fan Motor Breakdown

Fig. 1 - Vacuum Fan Motor Breakdown

01182

Key	Tennant® Part No.	Machine Serial Number	Description	Qty.
1	63230	(019700-)	Fan, Vacuum	1
1	01967	(019700-)	Clip	2
2	37926	(019700-)	Housing	1
3	37923	(019700-)	Fan	1
4	01968	(019700-)	Screw	4
5	01982	(019700-)	Clamp	2
6	32323	(019700-)	Brush	2
7	01969	(019700-)	Screw	2
8	01983	(019700-)	Bracket	1
9	01856	(019700-)	Spring	1
10	37909	(019700-)	Disc	1
11	01842	(019700-)	Bearing	1
12	18633	(019700-)	Armature	1
13	37924	(019700-)	Field	1
14	01837	(019700-)	Bearing	1
15	37912	(019700-)	Washer	1
16	01970	(019700-)	Bracket	1
17	18627	(019700-)	Spacer	1
18	01971	(019700-)	Fan	1
19	18628	(019700-)	Fan, Vacuum	2
20	18630	(019700-)	Spacer	1
21	18629	(019700-)	Fan, Stationary	1
22	18631	(019700-)	Shell	1
23	18632	(019700-)	Washer	1
24	37929	(019700-)	Nut	1

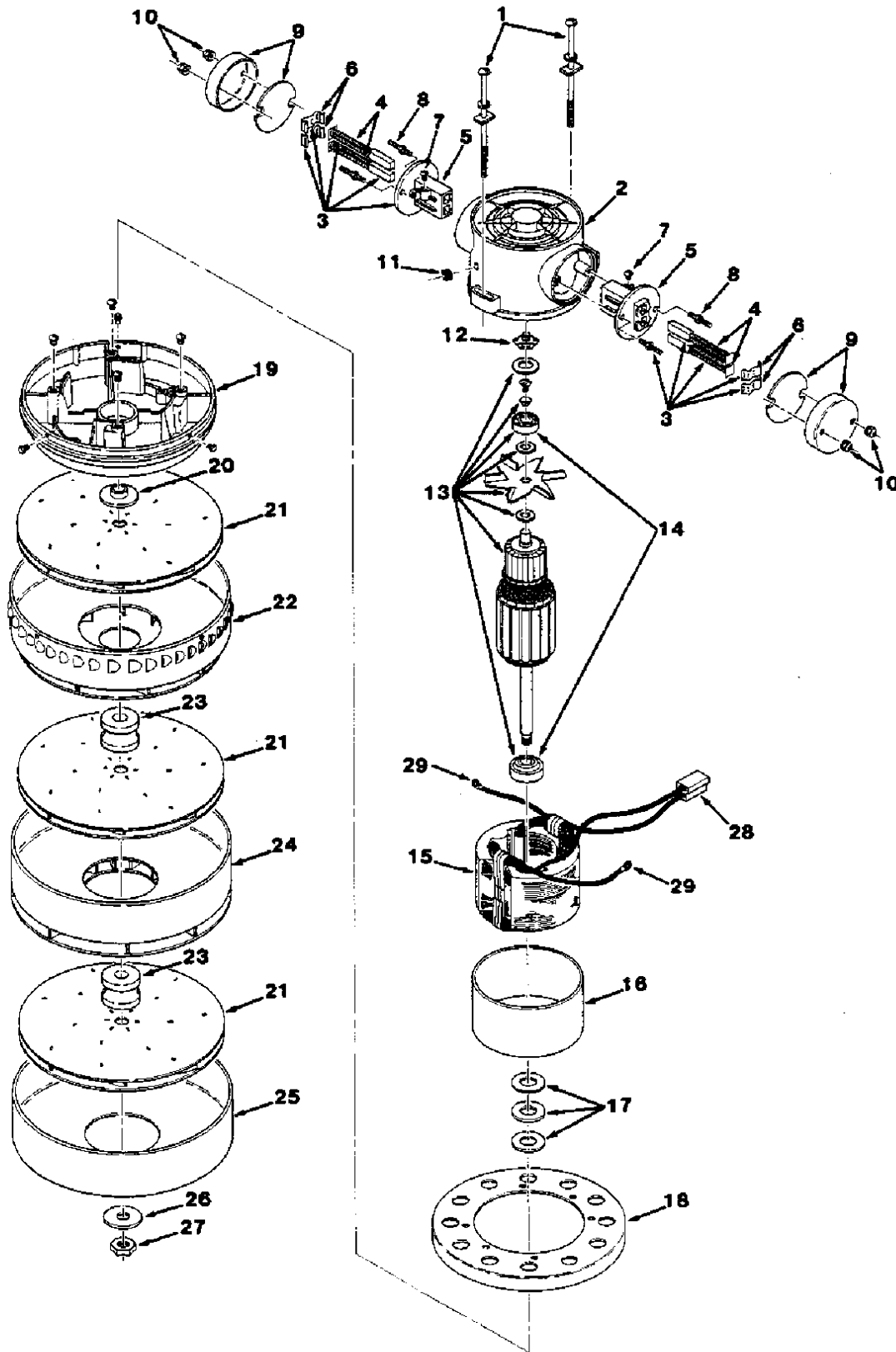


Fig. 2 - Vacuum Fan Motor Breakdown, Heavy Duty

Fig. 2 - Vacuum Fan Motor Breakdown, Heavy Duty

01183

Key	Tennant® Part No.	Machine Serial Number	Description	Qty.
	45076	(019700-)	Fan Assembly, Vacuum, Heavy Duty	1
1	01981	(019700-)	Screw	2
2	01848	(019700-)	Bracket	1
3	32324	(019700-)	Brush Assembly	2
4	37925	(019700-)	Brush And Spring	2
5	01972	(019700-)	Holder, Brush	1
6	01973	(019700-)	Clip, Brush Assembly	2
7	38303	(019700-)	Screw	2
8	01974	(019700-)	Stud	4
9	38327	(019700-)	Cap	2
10	01975	(019700-)	Nut	4
11	01976	(019700-)	Bushing	1
12	01856	(019700-)	Spring	1
13	01841	(019700-)	Armature	1
14	38438	(019700-)	Bearing Kit	1
15	01978	(019700-)	Field	1
16	01979	(019700-)	Band	1
17	01980	(019700-)	Washer	3
18	38362	(019700-)	Shell	1
19	01854	(019700-)	Bracket	1
20	45419	(019700-)	Spacer	1
21	45420A	(019700-)	Fan, Rotating	3
22	45418A	(019700-)	Fan, Stationary	1
23	45421	(019700-)	Spacer	2
24	45422A	(019700-)	Fan, Stationary	1
25	45424A	(019700-)	Shell	1
26	45423	(019700-)	Washer	1
27	37939	(019700-)	Nut	1
28	51407	(019700-)	Connector	1
29	51408-1	(019700-)	Terminal	2

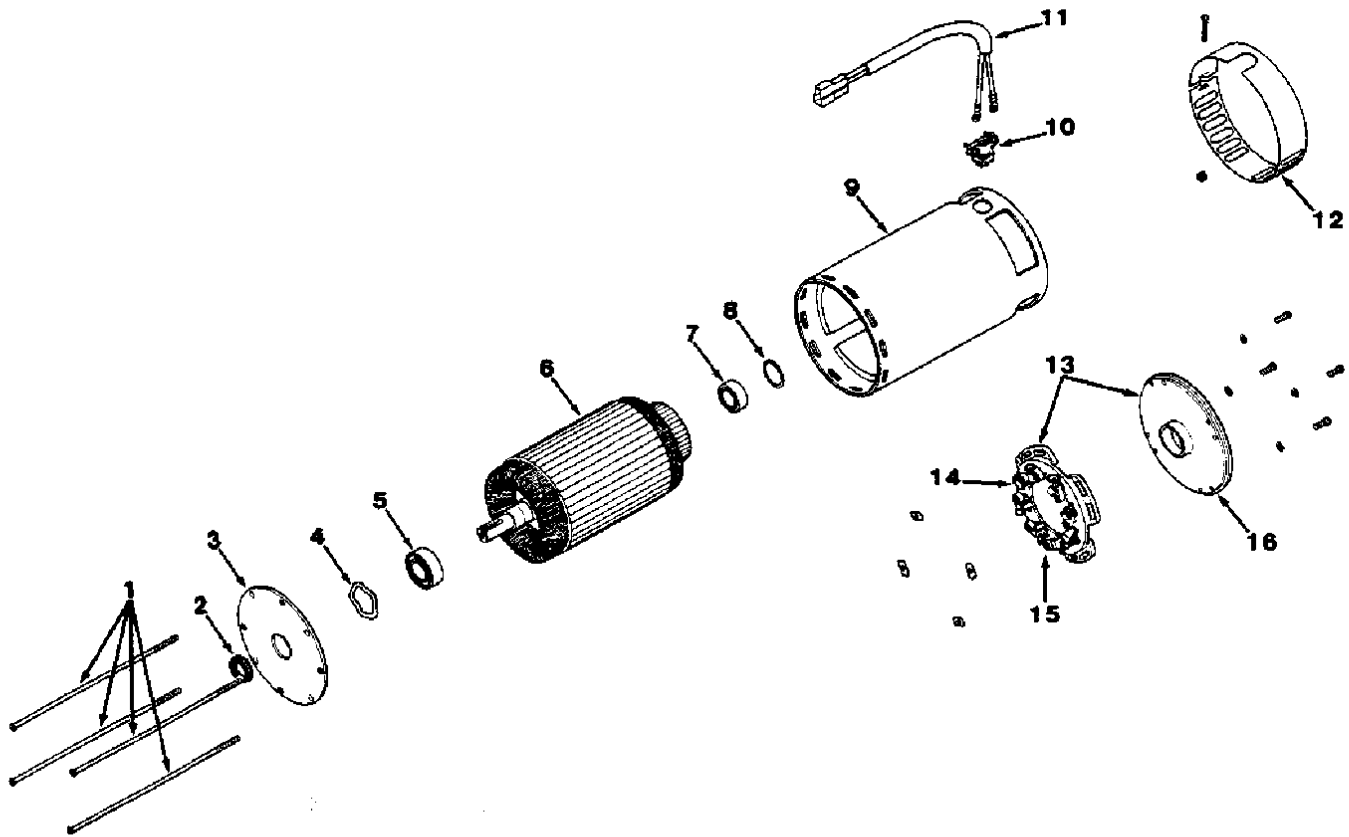


Fig. 3 - Scrub Brush Motor Breakdown

01868

Key	Tennant® Part No.	Machine Serial Number	Description	Qty.
	63431	(019700-)	Motor, Electric	1
1	37636	(019700-)	Bolt	4
2	37637	(019700-)	Seal, Oil	1
3	37642	(019700-)	Endbell	1
4	37888	(019700-)	Spring Load	1
5	18626	(019700-)	Bearing	1
6	18621	(019700-)	Armature Assembly	1
7	38378	(019700-)	Bearing	1
8	38652	(019700-)	Spacer	1
9	18622	(019700-)	Shell and Magnet Assembly	1
10	38468	(019700-)	Clamp	1
11	38266	(019700-)	Cord	1
12	38639	(019700-)	Band	1
13	38651	(019700-)	Endbell Assembly	1
14	37643	(019700-)	Spring, Brush	4
15	37638	(019700-)	Brush Assembly	4
16	37641	(019700-)	Endbell	1

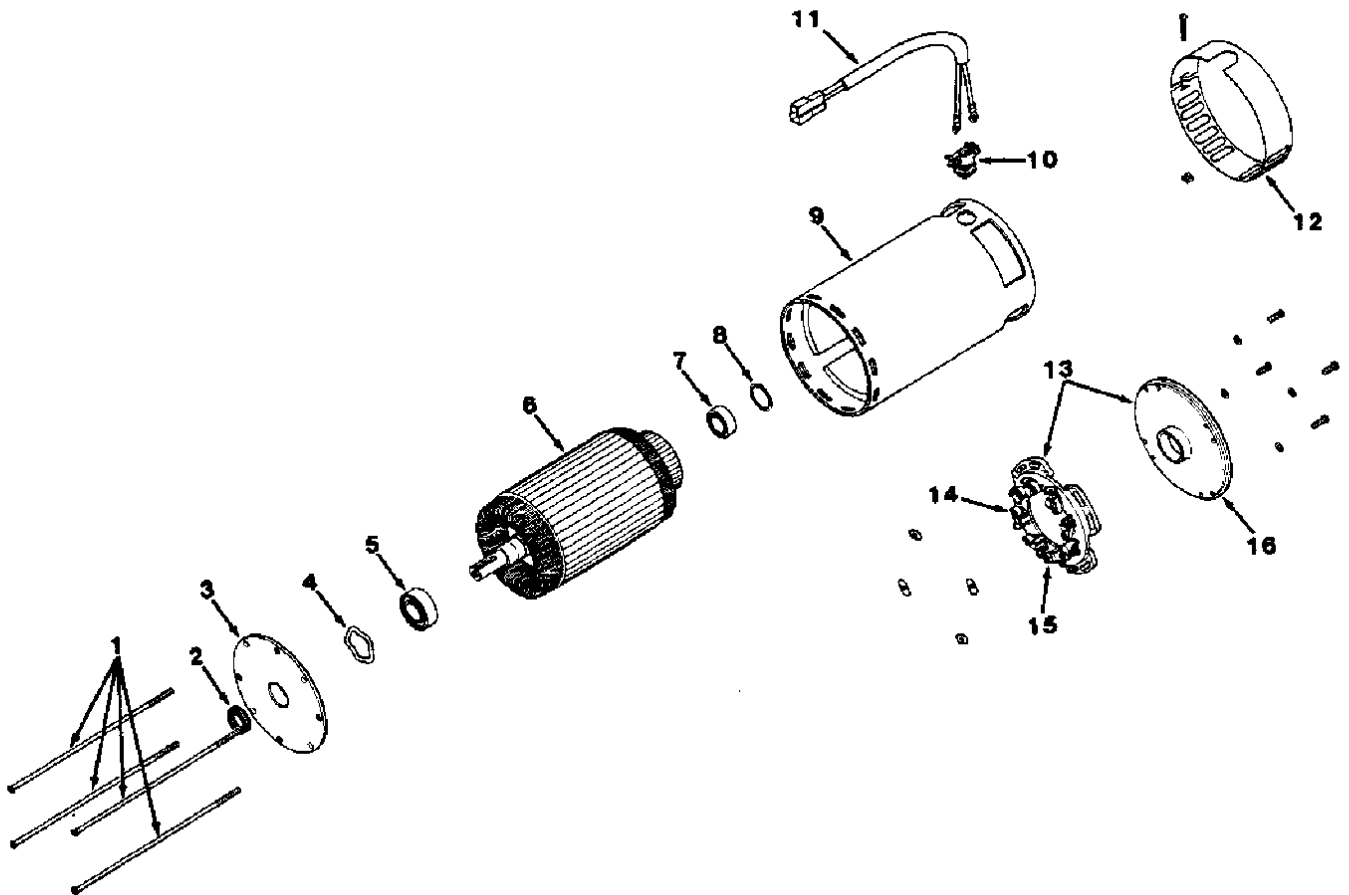


Fig. 4 - Scrub Brush Motor Breakdown, Heavy Duty

01869

Key	Tennant® Part No.	Machine Serial Number	Description	Qty.
	45912	(019700-)	Motor, Electric	1
1	38372	(019700-)	Bolt	4
2	37637	(019700-)	Seal, Oil	1
3	37642	(019700-)	Endbell	1
4	37888	(019700-)	Spring Load	1
5	18626	(019700-)	Bearing	1
6	18623	(019700-)	Armature Assembly	1
7	38378	(019700-)	Bearing	1
8	38652	(019700-)	Spacer	1
9	37639	(019700-)	Shell and Magnet Assembly	1
10	38468	(019700-)	Clamp	1
11	38266	(019700-)	Cord	1
12	38639	(019700-)	Band	1
13	38658	(019700-)	Endbell Assembly	1
14	37643	(019700-)	Spring, Brush	8
15	37638	(019700-)	Brush Assembly	8
16	37641	(019700-)	Endbell	1

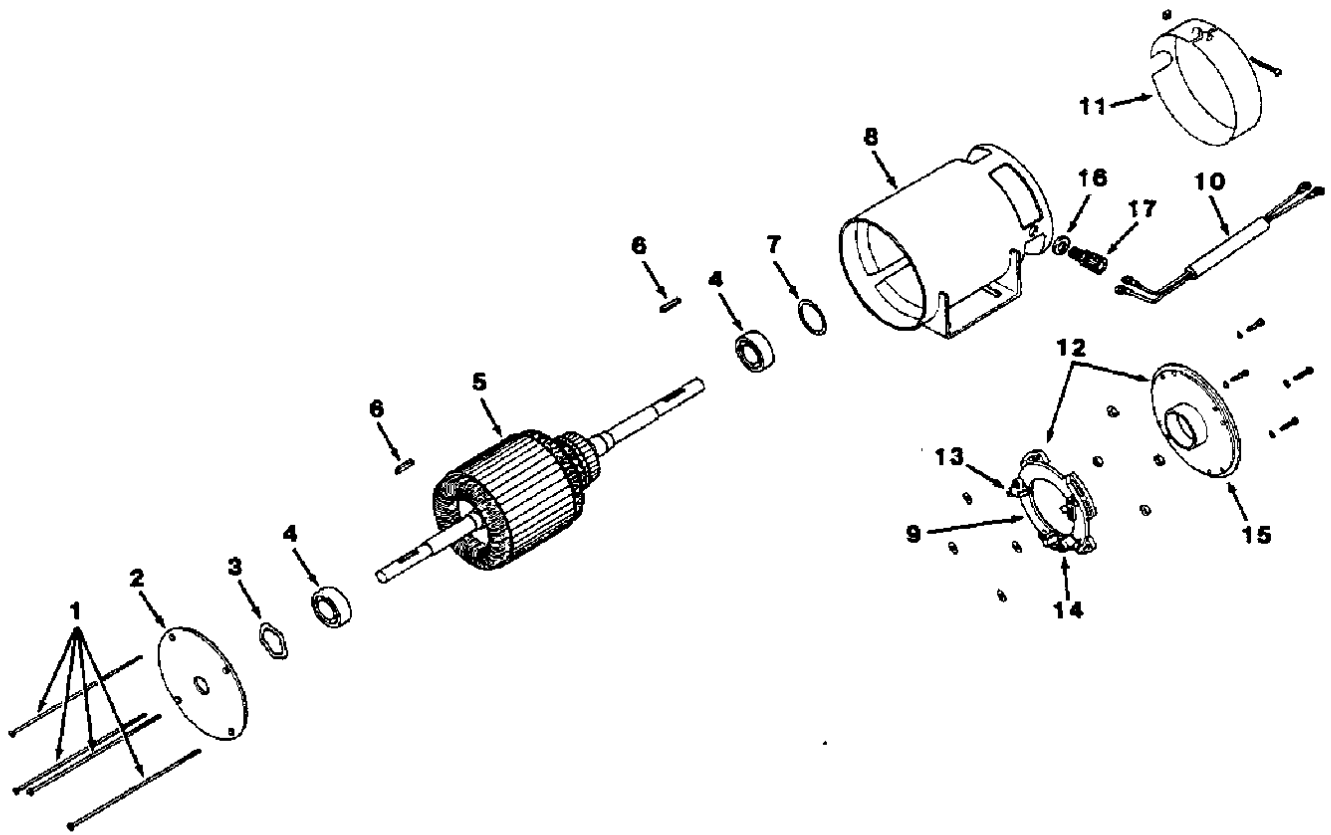


Fig. 5 - Drive Motor Breakdown

02897

Key	Tennant® Part No.	Machine Serial Number	Description	Qty.
	03439	(019700-)	Motor, Drive	1
1	37636	(019700-)	Bolt	4
2	03842	(019700-)	Endbell	1
3	37888	(019700-)	Spring Load	1
4	18626	(019700-)	Bearing	2
5	18624	(019700-)	Armature Assembly	1
6	38657	(019700-)	Key	2
7	38654	(019700-)	Spacer	1
8	18636	(019700-)	Shell And Magnet Assembly	1
9	38655	(019700-)	Cord	1
10	38656	(019700-)	Band	1
11	03841	(019700-)	Endbell Assembly	1
12	18634	(019700-)	Brush Holder Assembly	1
13	37643	(019700-)	Spring, Brush	4
14	37638	(019700-)	Brush Assembly	4
15	03843	(019700-)	Endbell	1
16	03844	(019700-)	Gasket	1
17	03840	(019700-)	Connector	1

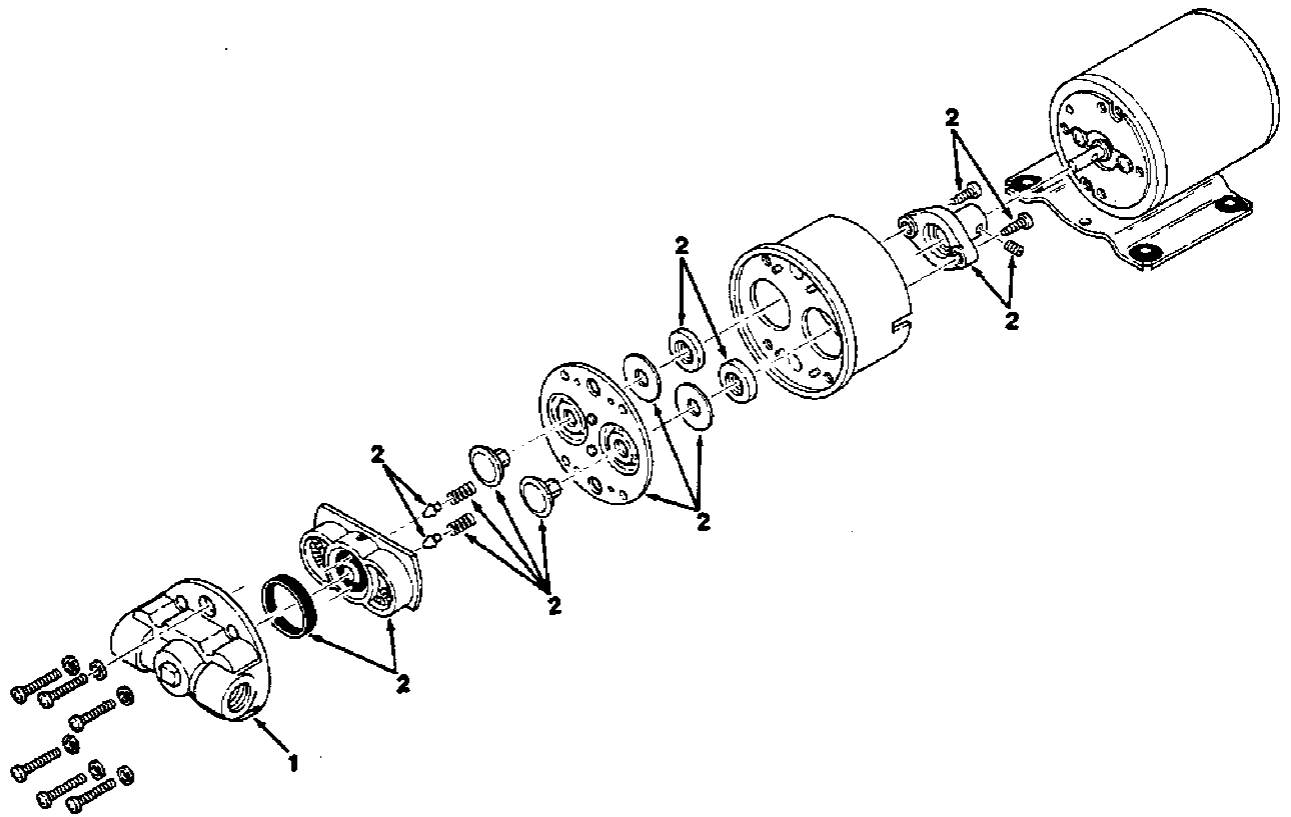


Fig. 6 - Water Pump Breakdown

00351

Key	Tennant® Part No.	Machine Serial Number	Description	Qty.
	79326-1	(019700-)	Pump, Water	1
1	63925	(019700-)	Housing, Pump	1
2	19960	(019700-)	Repair Kit, Pump	1

SECTION 8 CUSTOMER DOCUMENTS

CONTENTS

Tennant Company Warranty Policy
Tennant Company Directory

TENNANT COMPANY LIMITED WARRANTY

NEW MACHINES

Tennant Company warrants to the original purchaser for the period stated below that goods manufactured by it will be free from defects of workmanship and material, provided such goods are installed, operated, and maintained in accordance with Tennant Company's written manuals or other instructions. No warranty is made with respect to items supplied by Tennant Company on special order of purchaser. Tennant Company's sole obligation under this Warranty will be to repair and replace, at Tennant Company's option, parts that do not conform to this Warranty.

SIX-MONTH LABOR COVERAGE (U.S.A. AND CANADA ONLY)

For six (6) months in the U.S.A. or Canada, thirty (30) days elsewhere, from date of installation, Tennant Company will, at its option, provide labor for repair, pay for outside repair service, or pay the customer straight time in accordance with Tennant Company's flat rate schedule for particular warranty repairs. After six (6) months, Tennant Company's sole obligation shall be limited to the repair or replacement, at Tennant Company's option, of parts that do not conform to this Warranty according to the schedule below.

BATTERIES AND TIRES

Batteries and tires will be replaced if failure occurs due to defective material or workmanship within ninety (90) days from date of purchase. Thereafter, a pro rata adjustment from date of purchase to twelve (12) months will be made. The pro rata adjustment price of the replacement battery and/or tire will be the Tennant Company current price as of the adjustment request less 1/12th of that price for each month remaining in the twelve (12) month period. This Warranty applies only to batteries and tires purchased from Tennant Company and installed in vehicles used in normal service.

BRUSHES

Brushes that fail due to defective material or workmanship will be replaced on a pro rata basis within the first twelve (12) months of purchase. The replacement price will be calculated by multiplying the current Tennant Company price by the percentage of usable bristle remaining at the time of adjustment.

MACHINE WARRANTY PERIOD

Tennant Company warrants its equipment for a set number of months or for a set number of hours of use, whichever comes first. The warranty periods and hours of use vary depending upon the machine model. The warranty periods for Tennant Company's various machines are:

SCARIFIERS

Machine Model	Warranty Period	Machine Model	Warranty Period
G	12 months/500 hours	L2	12 months/500 hours
K4	12 months/500 hours	RS/TLR	12 months/500 hours
KDC	12 months/500 hours		

SCRUBBERS

Machine Model	Warranty Period	Machine Model	Warranty Period
426	12 months/500 hours	540E	12 months/1500 hours
432	12 months/500 hours	550	12 months/1500 hours
520	12 months/1500 hours	550E	12 months/1500 hours
527-II	12 months/1500 hours		

(except engine and hydraulics—24 months/2000 hours)

SWEEPERS

Machine Model	Warranty Period	Machine Model	Warranty Period
42HD	12 months/500 hours	240	12 months/1500 hours
140	12 months/500 hours	240EH SE	24 months/1750 hours
186	18 months/500 hours	255	18 months/1500 hours
215	18 months/750 hours	275/275SE	24 months/2000 hours
220	12 months/1500 hours	365	24 months/2000 hours
235	24 months/1250 hours	92 GR	12 months/1500 hours
	(except Duramerc hopper	95	24 months/2000 hours
	5 years/5000 hours)	717	24 months/1500 hours

RECONDITIONED MACHINES

Tennant Company warrants to the purchaser of reconditioned equipment, purchased from Tennant Company, for the period of ninety (90) days from the date of delivery that the purchased equipment will be free from defects of workmanship and material, provided such equipment is operated and maintained according to Tennant Company written manuals or instructions. Tennant Company's sole obligation under this Warranty will be to repair and replace, at Tennant Company's option, parts that do not conform to this Warranty.

No warranty of any kind is extended to equipment that is sold for salvage.

LABOR COVERAGE

For thirty (30) days from date of delivery Tennant Company will, at its option, provide labor for repair, pay outside repair service, or pay the customer straight time in accordance with Tennant Company flat rate schedule for particular warranty repair. After thirty (30) days, Tennant Company's sole obligation shall be limited to the repair or replacement, at Tennant Company's option, of parts that do not conform to this Warranty.

REPAIR PARTS

Repair parts supplied by Tennant Company are warranted against defects for the period stated below. Tennant Company's obligation is limited to the replacement of the warranted part, and Tennant Company shall not be obligated to provide labor (except certain engines also stated below) in installing such part.

ENGINES, SHORT BLOCKS, AND LONG BLOCKS

Manufacturer	Warranty Period	Manufacturer	Warranty Period
Continental	1 year or 1500 hours parts & labor	Perkins	1 year or 1500 hours parts & labor
Kohler	1 year or 1500 hours parts & labor (except Kohler Model K181S -500 hours)	Kubota	1 year or 1500 hours parts & labor
Briggs & Stratton	90 days or 200 hours parts & labor	Wisconsin	1 year or 500 hours parts & labor
Onan	1 year or 1500 hours parts & labor	Ford	1 year or 1500 hours parts only

- Engine part replacements such as water pumps, carburetors, and alternators are warranted for thirty (30) days parts only, no labor.
- Labor is to include only the time it takes to repair an engine. It does not include removal and replacement nor does it include travel time.

MAJOR HYDRAULIC COMPONENTS (PUMPS, MOTORS, CYLINDERS, AND CONTROL VALVES)

Manufacturer	Warranty Period	Manufacturer	Warranty Period
Cessna	1 year parts only	Oilgear	1 year parts only
Char-Lynn	1 year parts only	Gresen	90 days parts only
Victor (Dukes)	1 year parts only	MTE	90 days parts only
Ross	1 year parts only	Barnes	90 days parts only
Vickers	1 year parts only		

- All seal kits and replacement parts are warranted for thirty (30) days parts only.

MAJOR ELECTRIC MOTORS

Manufacturer	Warranty Period	Manufacturer	Warranty Period
Baldor	1 year parts only	Ohio Electric	1 year parts only
General Electric	1 year parts only	HK Porter	1 year parts only

All other repair parts are warranted for thirty (30) days only.

SERVICE LABOR

Labor performed by a Tennant Company service representative shall be warranted for thirty (30) days from the date the repairs are completed. This policy does not cover work performed by any service company, other than Tennant Company, and is restricted to the specific repair operation or component for which a claim is made.

THIS WARRANTY IS EXPRESSLY IN LIEU OF ALL OTHER EXPRESSED OR IMPLIED WARRANTIES INCLUDING THE WARRANTIES OF MERCHANTABILITY AND FITNESS AND OF ALL OTHER OBLIGATIONS AND LIABILITIES ON THE PART OF TENNANT COMPANY, INCLUDING LIABILITIES FOR DIRECT, IMMEDIATE, SPECIAL, INDIRECT, OR CONSEQUENTIAL DAMAGES ARISING OUT OF THE FAILURE OF ANY MACHINE OR PART OF IT TO OPERATE PROPERLY, INCLUDING THE COST OR EXPENSE OF PROVIDING SUBSTITUTE EQUIPMENT OR SERVICE DURING PERIODS OF MALFUNCTION OR NON-USE.

This Warranty cannot be extended, changed, or modified by any representative of Tennant Company.

Home

Find...

Go To..



TENNANT COMPANY, TENNANT COMPANY SUBSIDIARIES, AND MAJOR PARTS AND SERVICE LOCATIONS DIRECTORY

LOCATION	PHONE	TELEX
NORTH AMERICA		
U.S.A.		
CALIFORNIA		
Los Angeles Parts and Service Center 1080 N. Kraemer Place P. O. Box 66066 Anaheim, CA 92806	(714) 630-0800	
GEORGIA		
Atlanta Parts and Service Center 5805 Peachtree Corners E. Rd. Norcross, GA 30092 Toll free in - FL, MS, AL, TN, KY, NC, SC	(404) 447-1500 (800) 241-8964	
ILLINOIS		
Chicago Parts and Service Center 2670 United Lane P. O. Box 725 Elk Grove Village, IL 60007	(312) 595-1770	
MICHIGAN		
Detroit Parts and Service Center 5601 Enterprise Dr. P. O. Box 927 Warren, MI 48090	(313) 573-6600	
MINNESOTA		
Tennant Company, World Headquarters Minneapolis Factory Customer Services 701 N. Lilac Dr. Minneapolis, MN 55422 Mailing Address: P. O. Box 1452 Minneapolis, MN 55440	(612) 540-1315	
PENNSYLVANIA		
Philadelphia Parts and Service Center 855 Bethel Avenue P. O. Box G Pennsauken, NJ 08110	(609) 665-2231	
TEXAS		
Dallas/Ft. Worth Parts and Service Center 1025 Santerre Drive Grand Prairie, TX 75050 Mailing Address: P. O. Box 5584 Arlington, TX 76011	(214) 647-0801	
CANADA		
ONTARIO		
Toronto Parts and Service Center 7575 Kimbel St., Unit 1, Mississauga Ontario, Canada L5S 1C8	(416) 677-8070	06-983504
SOUTH AMERICA		
BRAZIL		
Equipamentos Tennant Limitada Av. Dona Ruyce Ferraz Alvim, 2056 Caixa Postal 226 Diadema - SP - Brazil CEP 09900	456-2655	Cable TENBRACO

(continued on following page)

**TENNANT COMPANY, TENNANT COMPANY SUBSIDIARIES, AND
MAJOR PARTS AND SERVICE LOCATIONS DIRECTORY (CONTINUED)**

LOCATION	PHONE	TELEX
ASIA		
JAPAN Fuji-Tennant, Ltd. Shinjuku Building 8-1, Nishi-Shinjuku, 1-chome Shinjuku-ku, Tokyo, Japan	342-8681	781-232-2268 RCA ATTN: Fuji-Tennant
AUSTRALIA		
AUSTRALIA Tennant Australia 55 Salisbury Road Hornsby, New South Wales 2077 Australia	476-5893	AA27393
EUROPE		
NETHERLANDS Tennant N.V. Industrielaan 6 5400 AA Uden, N.B., Netherlands	(4132) 63955	844 50079
UNITED KINGDOM Tennant Maintenance Systems, Ltd. Pool Road East Molesey Surrey KT 8 ONH United Kingdom	941-5585	8963787
WEST GERMANY Tennant N.V. Zweigniederlassung Remscheid Walter Freitagstr. 39 5630 Remscheid 12 West Germany	02191-53087	08 513 478 TENV D.

This is a listing of *major* Tennant Company parts and service centers. Parts and service are also available at many other Tennant Company centers or distributors located around the world. To determine your nearest Tennant Company representative, phone or write the Tennant Company World Headquarters.

TENNANT COMPANY SERVICE LITERATURE AVAILABLE...

A variety of information is available to you in forms to suit your needs. The following is a list of those publications that relate to the Model 432 family of machines:

Machine Model	Publication	Form	Tennant® Part No.
432	Operation, Maintenance, and Parts Manual	Printed	MM155
432	Operation, Maintenance, and Parts Manual	Microfiche	85155

Keep your manuals in a safe, convenient location for your future reference in order to operate, maintain, and order repair parts for your machine. Everyone who operates, maintains, or purchases parts for the machine should have easy access to a copy of the manual.

To get pricing information or to order copies of these publications, contact your nearest Tennant Company parts warehouse, distributor, or sales representative.

